



Data sheet - ASM 182 TD+ standard

ASM 182 TD+ standard, English language, 110/130 V and US power cable

Frictionless ACP dry pump with 25 m³/h backing capacity

ASM 182 TD+ standard, English language, 110/130 V and US power cable

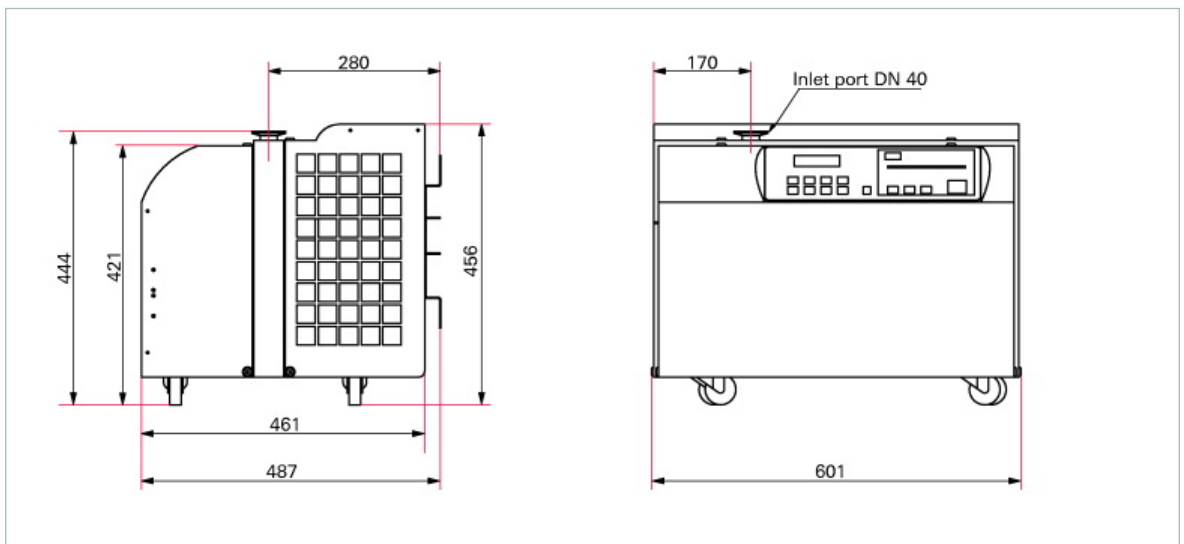
ASM 182 TD+ standard



Similar Image

- Frictionless ACP dry pump with 25 m³/h backing capacity
- 4.4 l/s helium pumping speed
- 110/130 V operating voltage
- US power cable
- Operator interface and voice synthesizer in English

Dimensions



ASM 182 TD+ standard, English language, 110/130 V and US power cable

Technical Data	ASM 182 TD+ standard, English language, 110/130 V and US power cable
Backing pump	with oil free backing pump
Backing pump capacity	25 m ³ /h
Detectable gases	⁴ He
Dimensions (L x W x H)	601 x 487 x 456 mm
Flange (in)	DN 40 ISO-KF
I/O interface	Digital inputs (Start, Vent, Calibration...); Digital outputs (Test modes, cycle in progress, helium signal above reject set point...); Analog outputs (Helium signal log, Inlet pressure)
Interface	RS-232
Language	English
Mains cable	US power cable
Maximum inlet test pressure	6 hPa
Minimum detectable leak rate for helium (sniffing leak detection)	1·10 ⁻⁷ hPa l/s
Minimum detectable leak rate for helium (vacuum leak detection)	5·10 ⁻¹² hPa l/s
Noise level	65 dB (A)
Operating temperature	10 - 40 °C
Pumping speed for He	4.4 l/s
Start-up time (20°C) with calibration	< 5.5 min
Start-up time (20°C) without calibration	< 4 min
Supply	110-130 V, 50/60 Hz
Test method	Vacuum and sniffing leak detection
Type	High Performance - Compact
User interface	Basic user interface
Weight	88 kg

Order number	D10RSS0PB710
---------------------	---------------------

Bottle holder

Bottle holder dedicated for transport cart 111196	802819
---	---------------

ASM 182 TD+ standard, English language, 110/130 V and US power cable

Sniffer probe

Sniffer probe, 5 m hose length, rigid 9 cm nozzle	SNC1E1T1
---	-----------------

Standard remote control

Remote control, leak rate in mbar l/s, legend in English	106688
--	---------------

Remote control, leak rate in Pa m ³ /s, legend in English	108880
--	---------------

Remote control, leak rate in Torr l/s, legend in English	108881
--	---------------

Test chambers to be mounted on the inlet flange of ASM 182 series

Large aluminium test chamber, cylindrical, internal dimensions: 160 mm diameter, 100 mm height	802458
--	---------------

Medium aluminium test chamber, cylindrical, internal dimensions: 85 mm diameter, 68 mm height	802456
---	---------------

Transport cart

Transport cart, stainless steel, for ASM 182 T and ASM 182 TD+	111196
--	---------------

**Vacuum solutions
from a single source**

Pfeiffer Vacuum stands for innovative and custom vacuum solutions worldwide, technological perfection, competent advice and reliable service.

**Complete range
of products**

From a single component to complex systems:
We are the only supplier of vacuum technology
that provides a complete product portfolio.

**Competence in
theory and practice**

Benefit from our know-how and our portfolio of training
opportunities! We support you with your plant layout
and provide first-class on-site service worldwide.

**Are you looking for a
perfect vacuum solution?
Please contact us:**

Pfeiffer Vacuum GmbH
Headquarters · Germany
T +49 6441 802-0
info@pfeiffer-vacuum.de
www.pfeiffer-vacuum.com