



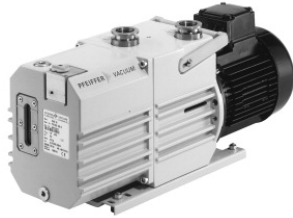
Data sheet - DUO 10 M

**DUO 10 M, 1-phase motor, 200-230 V,
50 Hz ; 200-240 V, 60 Hz**

**Dual-stage, high-performance rotary vane pump with a pumping
speed of 10 m³/h**

DUO 10 M, 1-phase motor, 200-230 V, 50 Hz ; 200-240 V, 60 Hz

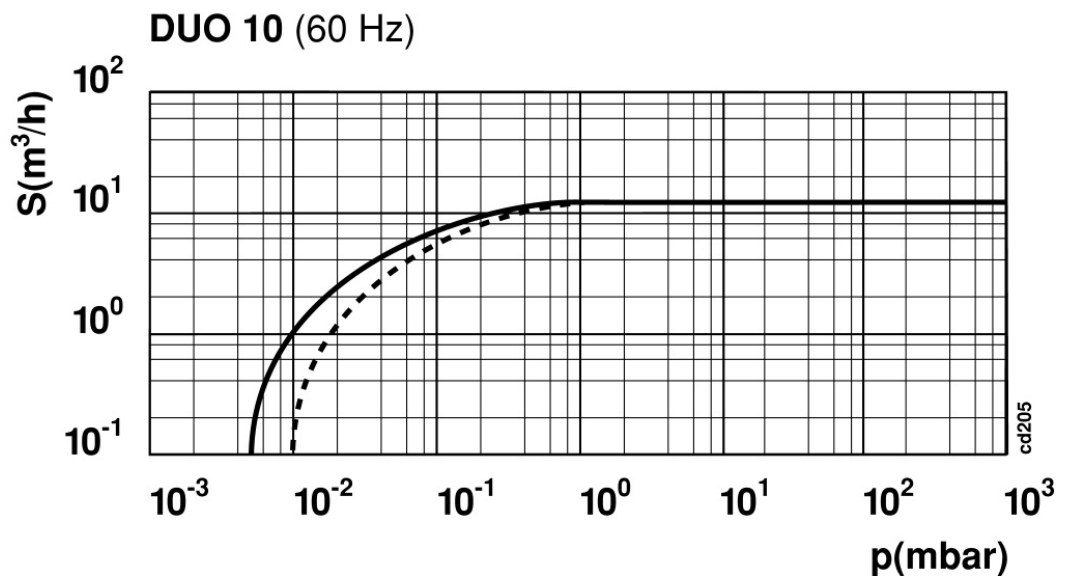
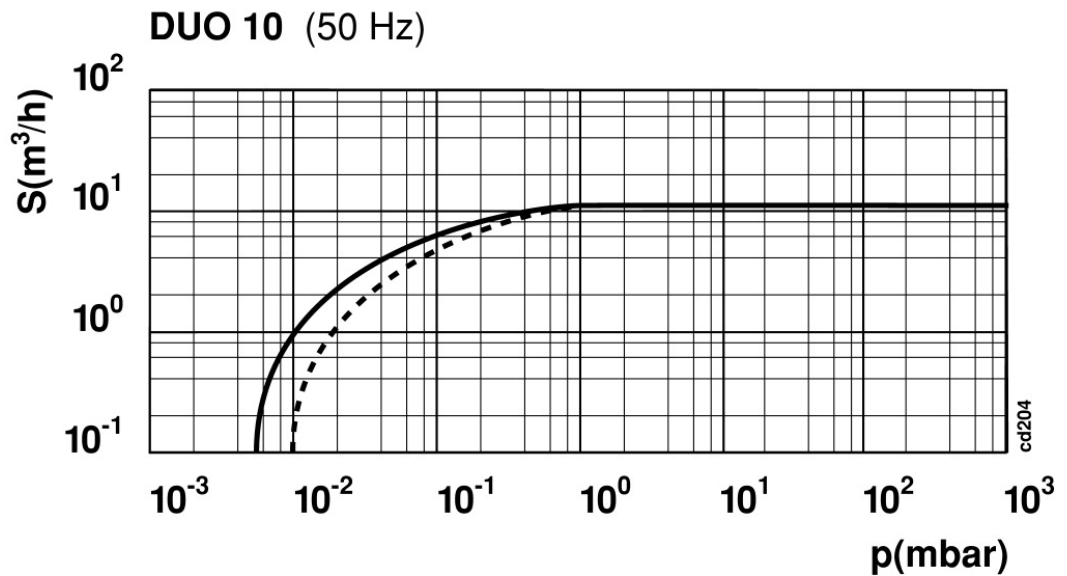
DUO 10 M



Similar Image

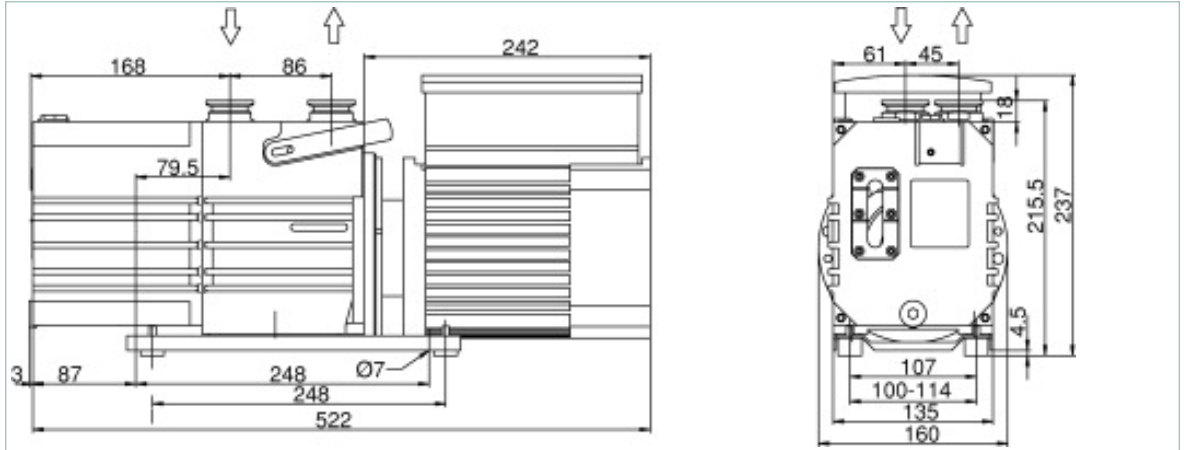
- Dual-stage, high-performance rotary vane pump with a pumping speed of 10 m³/h
- With Single-phase motor
- Integrated gas ballast and HV safety valve
- For all low and medium vacuum applications
- Magnetically coupled
- Special feature: Various motor voltages for worldwide employment

Characteristics



DUO 10 M, 1-phase motor, 200-230 V, 50 Hz ; 200-240 V, 60 Hz

Dimensions



Technical Data

DUO 10 M, 1-phase motor, 200-230 V, 50 Hz ; 200-240 V, 60 Hz

Emission sound pressure level without gas ballast	≤ 57 dB (A)
Flange (in)	DN 25 ISO-KF
Flange (out)	DN 25 ISO-KF
Leak rate safety valve	$\leq 1 \cdot 10^{-5}$ Pa m ³ /s
Magnetic coupling	yes
Mains requirement: voltage 50 Hz	200-230 (± 5 %) V
Mains requirement: voltage 60 Hz	200-240 (± 5 %) V
Operating fluid	P3
Operating fluid filling	1 l
Pumping speed at 50 Hz	10 m ³ /h
Pumping speed at 60 Hz	12 m ³ /h
Rated power 50 Hz	0,45 kW
Rated power 60 Hz	0,55 kW
Rotation speed at 50 Hz	1500 min ⁻¹
Rotation speed at 60 Hz	1800 min ⁻¹
Switch	Yes, with 2 m mains cable with safety plug
Ultimate pressure with gas ballast	$6 \cdot 10^{-3}$ hPa
Ultimate pressure without gas ballast	$3 \cdot 10^{-3}$ hPa
Weight	30 kg

Ultimate pressure according to PNEUROP

Order number

PKD62712

DUO 10 M, 1-phase motor, 200-230 V, 50 Hz ; 200-240 V, 60 Hz

Accessories DuoLine®;

FAK 025, activated carbon filter	PKZ30006
KAS 25, condensate separator for pumping speeds up to 12 m³/h	PKZ10032
KLF 025, cold trap	PKZ80006
Oil pressure switch for DUO 5/10/20 M and Penta 20/35	PK196484-T
Oil return unit from ONF 16 M to DUO 5 M, from ONF 25 M to DUO 10 M, from ONF 25 L to DUO 20 M, standard version	PK196172-T
ONF 25 M, oil mist filter for pumping speeds of up to 12 m³/h	PKZ40157
ONF 25 S, oil mist filter for pumping speeds of up to 12 m³/h	PKZ40004
Operations monitoring unit 1 for DUO 1.6/3/6/11 and DUO 5/10/20 M	PK196157-T
Operations monitoring unit 2 for DUO 1.6/3/6/11 and DUO 5/10/20 M	PK196142-T
Operations monitoring unit 3 for DUO 1.6/3/6/11 and DUO 5/10/20 M	PK196141-T
SAS 25, DN 25 ISO-KF, polyester filter	PKZ60508
URB 025, catalytic trap, 115 V	PTU10761
URB 025, catalytic trap, 230 V	PTU10760
ZFO 025, zeolite trap	PKZ70006

Accessories UnoLine®; Plus

PTC-resistor tripping device	P4768051FQ
------------------------------	------------

Consumables

	DUO 10 M, 1-phase motor, 200-230 V, 50 Hz ; 200-240 V, 60 Hz
P3, mineral oil, 1 l	PK001106-T
P3, mineral oil, 5 l	PK001107-T
P3, mineral oil, 20 l	PK001108-T

**Vacuum solutions
from a single source**

Pfeiffer Vacuum stands for innovative and custom vacuum solutions worldwide, technological perfection, competent advice and reliable service.

**Complete range
of products**

From a single component to complex systems:
We are the only supplier of vacuum technology
that provides a complete product portfolio.

**Competence in
theory and practice**

Benefit from our know-how and our portfolio of training
opportunities! We support you with your plant layout
and provide first-class on-site service worldwide.

**Are you looking for a
perfect vacuum solution?
Please contact us:**

Pfeiffer Vacuum GmbH
Headquarters · Germany
T +49 6441 802-0
info@pfeiffer-vacuum.de
www.pfeiffer-vacuum.com