



Data sheet · DUO 125

**DUO 125, 3-phase motor, 3TF,
220/380 V, 60 Hz**

**Dual-stage, high-performance rotary vane pump with a pumping
speed up to 135 m³/h**

DUO 125, 3-phase motor, 3TF, 220/380 V, 60 Hz

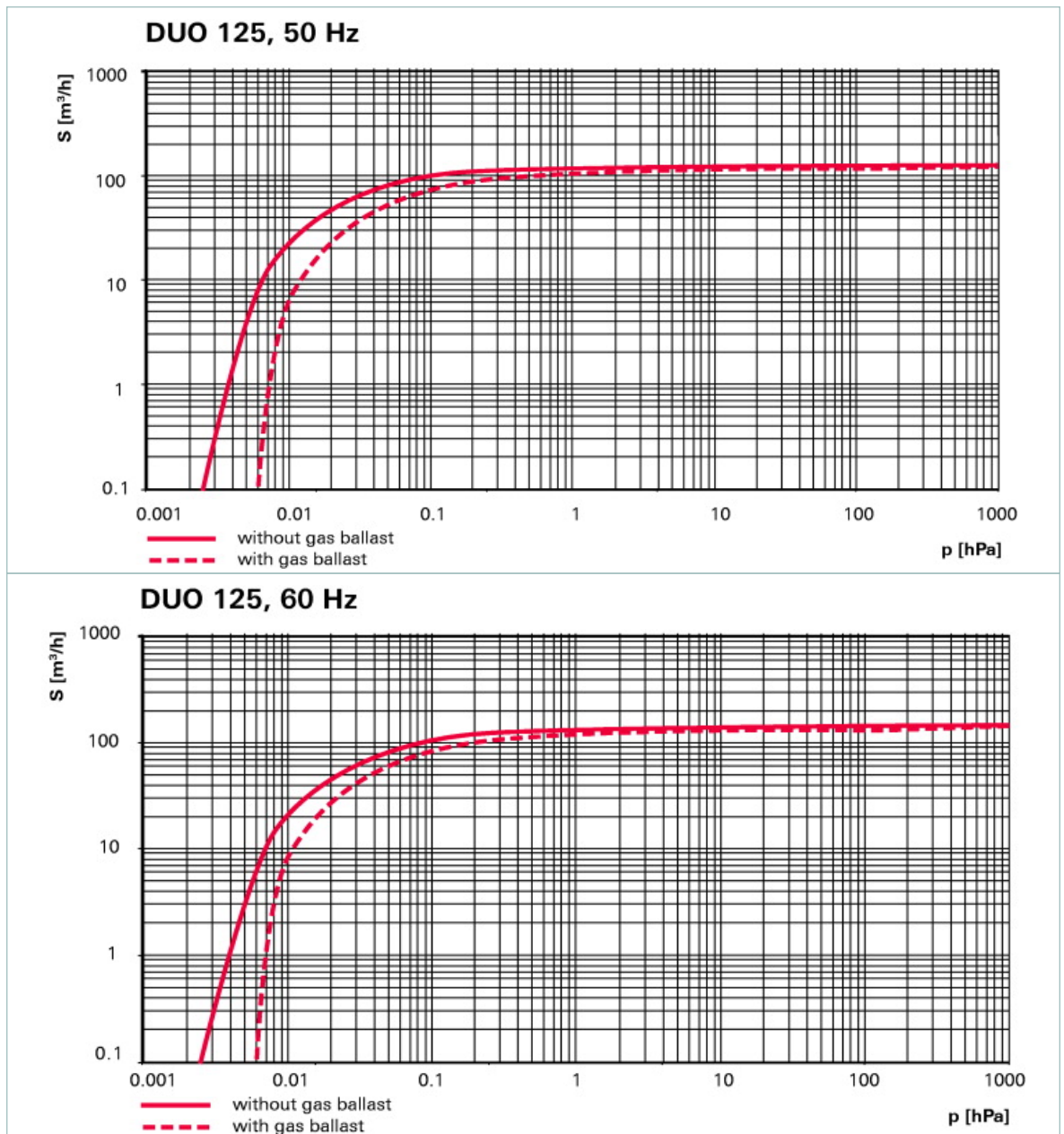
DUO 125



[Similar Image](#)

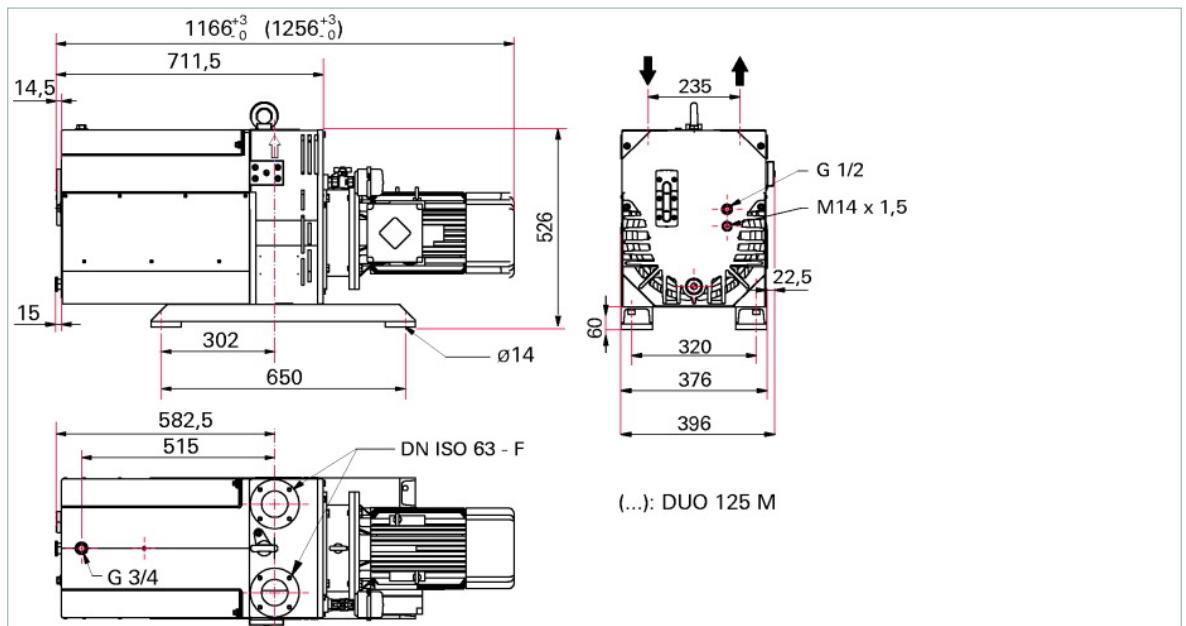
- Dual-stage, high-performance rotary vane pump with a pumping speed up to 135 m³/h
- With 3-phase motor
- With temperature sensor (3TF) for optimum motor protection
- Integrated gas ballast and HV safety valve
- For all low and medium vacuum applications
- Special feature: Various motor voltages for wide application field

Characteristics



DUO 125, 3-phase motor, 3TF, 220/380 V, 60 Hz

Dimensions



Technical Data

DUO 125, 3-phase motor, 3TF, 220/380 V, 60 Hz

Emission sound pressure level without gas ballast at 50 Hz	75 dB (A)
Flange (in)	DN 63 ISO-F
Flange (out)	DN 63 ISO-F
Leak rate safety valve	$\leq 1 \cdot 10^{-5} \text{ Pa m}^3/\text{s}$
Mains requirement: voltage 60 Hz	220/380 V
Motor protection	3TF
Operating fluid	P3
Operating fluid filling	13 l
Pumping speed at 60 Hz	140 m ³ /h
Rated power 60 Hz	4 kW
Rotation speed at 60 Hz	1200 min ⁻¹
Ultimate pressure with gas ballast	$4 \cdot 10^{-3} \text{ hPa}$
Ultimate pressure without gas ballast	$2 \cdot 10^{-3} \text{ hPa}$
Weight	245 kg

Ultimate pressure according to PNEUROP

Order number

PKD47652

DUO 125, 3-phase motor, 3TF, 220/380 V, 60 Hz

Accessories DuoLine®;

Heating rod for ZFO 063, 220 V, 50/60 Hz	PKZ90030A
KAS 63, condensate separator for pumping speeds up to 250 m ³ /h	PKZ10010
KLF 063, cold trap	PKZ80010
OFM 125, mechanical oil filter	PKZ90340
Oil pressure switch for DUO 125/255	PK223806-T
Oil return unit, ORF 005, standard version	PKZ90065
ONF 63, oil mist filter for pumping speeds of up to 135 m ³ /h	PKZ40010
Operating fluid level monitoring	PK006001-T
Operations monitoring unit 3 for DUO 35/65, DUO 125/255	PK223739-U
Temperature sensor for operating fluid	PK006040-T
ZFO 063, zeolite trap	PKZ70010

Accessories HenaLine

SAS 63, DN 63 ISO-K, polyester filter	PKZ60511
---------------------------------------	----------

Accessories UnoLine®; Plus

FAK 063, activated carbon filter	PKZ30010
PTC-resistor tripping device	P4768051FQ

Consumables

	DUO 125, 3-phase motor, 3TF, 220/380 V, 60 Hz
P3, mineral oil, 1 l	PK001106-T
P3, mineral oil, 5 l	PK001107-T
P3, mineral oil, 20 l	PK001108-T
P3, mineral oil, 50 l	PK001109-T

**Vacuum solutions
from a single source**

Pfeiffer Vacuum stands for innovative and custom vacuum solutions worldwide, technological perfection, competent advice and reliable service.

**Complete range
of products**

From a single component to complex systems:
We are the only supplier of vacuum technology
that provides a complete product portfolio.

**Competence in
theory and practice**

Benefit from our know-how and our portfolio of training
opportunities! We support you with your plant layout
and provide first-class on-site service worldwide.

**Are you looking for a
perfect vacuum solution?
Please contact us:**

Pfeiffer Vacuum GmbH
Headquarters · Germany
T +49 6441 802-0
info@pfeiffer-vacuum.de
www.pfeiffer-vacuum.com