

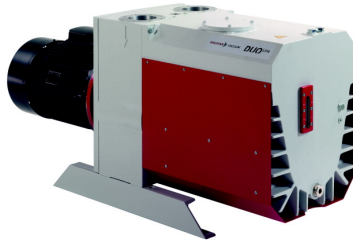
## Data sheet · DUO 255

**DUO 255, 3-phase motor, 3TF, 220-380 V, 60 Hz**

**Dual-stage, high-performance rotary vane pump with a pumping speed up to 255 m<sup>3</sup>/h**

## DUO 255, 3-phase motor, 3TF, 220-380 V, 60 Hz

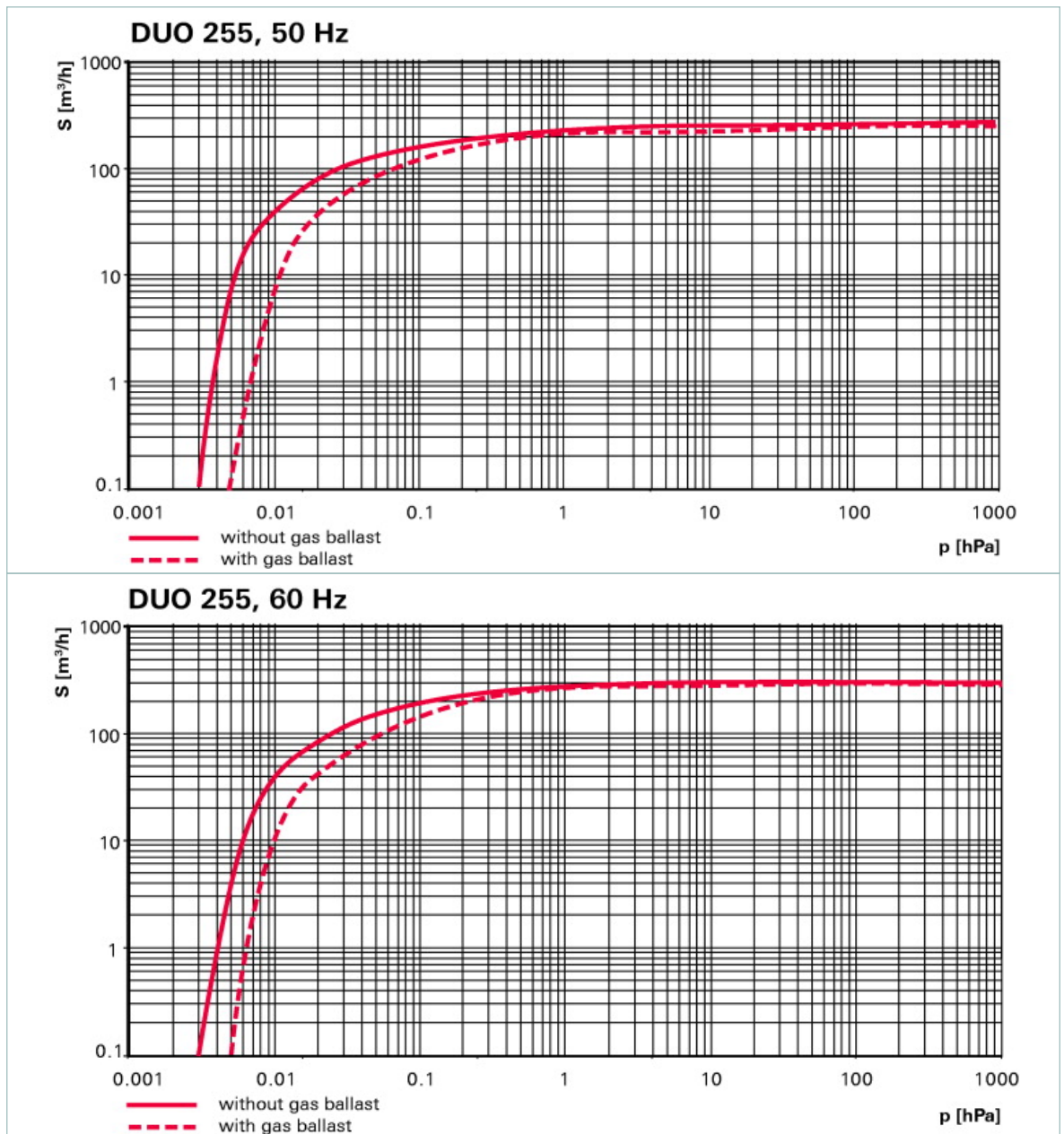
### DUO 255



[Similar Image](#)

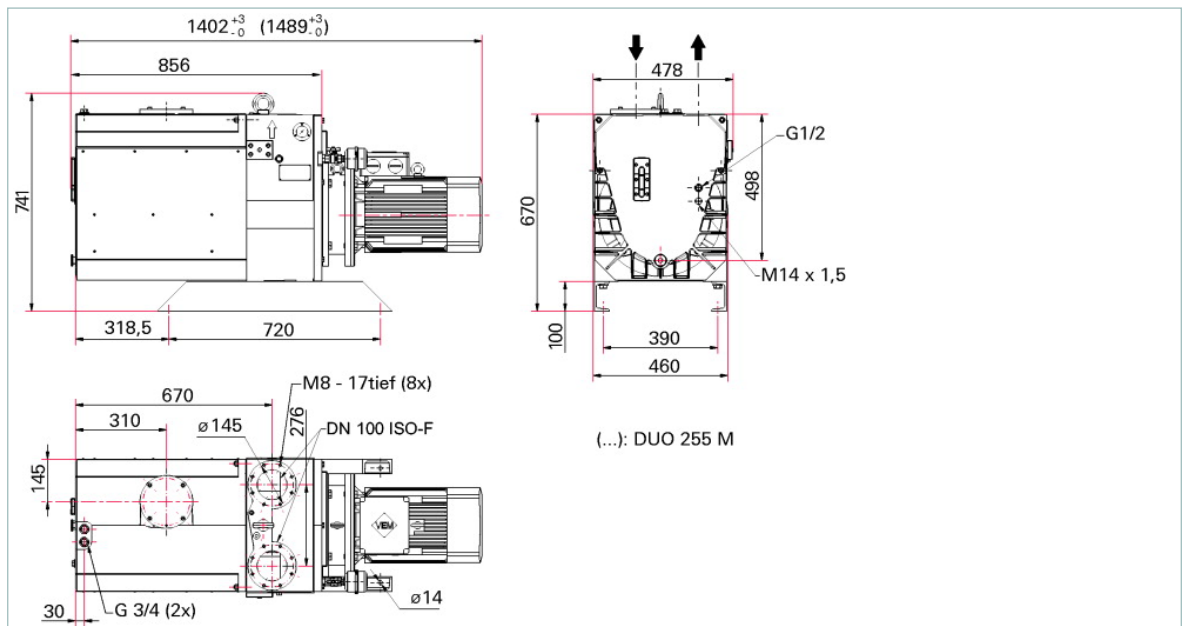
- Dual-stage, high-performance rotary vane pump with a pumping speed up to 255 m<sup>3</sup>/h
- 3-phase motor for 220/380 V (± 5 %), 60 Hz supply voltages
- With temperature sensor (3TF) for optimum motor protection
- Integrated gas ballast and HV safety valve
- For all low and medium vacuum applications

### Characteristics



## DUO 255, 3-phase motor, 3TF, 220-380 V, 60 Hz

### Dimensions



### Technical Data

### DUO 255, 3-phase motor, 3TF, 220-380 V, 60 Hz

Emission sound pressure level without gas ballast at 50 Hz	$\leq 75$ dB (A)
Flange (in)	DN 100 ISO-F
Flange (out)	DN 100 ISO-F
Leak rate safety valve	$\leq 1 \cdot 10^{-5}$ Pa m <sup>3</sup> /s
Mains requirement: voltage 60 Hz	220/380 V
Motor protection	3TF
Operating fluid	P3
Operating fluid filling	25 l
Pumping speed at 60 Hz	300 m <sup>3</sup> /h
Rated power 60 Hz	9 kW
Rotation speed at 60 Hz	1200 min <sup>-1</sup>
Ultimate pressure with gas ballast	$4 \cdot 10^{-3}$ hPa
Ultimate pressure without gas ballast	$3 \cdot 10^{-3}$ hPa
Weight	380 kg

Ultimate pressure according to PNEUROP

Order number

PKD48652

## DUO 255, 3-phase motor, 3TF, 220-380 V, 60 Hz

### Accessories DuoLine®;

KAS 100, condensate separator for pumping speeds up to 630 m³/h	PKZ10012
OFM 255, mechanical oil filter	PKZ90341
Oil pressure switch for DUO 125/255	PK223806-T
Oil return unit, ORF 005, standard version	PKZ90065
ONF 100, oil mist filter for pumping speeds up to 300 m³/h	PKZ40012
Operating fluid level monitoring	PK006001-T
Operations monitoring unit 3 for DUO 35/65, DUO 125/255	PK223739-U
Temperature sensor for operating fluid	PK006040-T

### Accessories UnoLine®; Plus

FAK 100, activated carbon filter	PKZ30012
PTC-resistor tripping device	P4768051FQ

### Consumables

	<b>DUO 255, 3-phase motor, 3TF, 220-380 V, 60 Hz</b>
P3, mineral oil, 1 l	PK001106-T
P3, mineral oil, 5 l	PK001107-T
P3, mineral oil, 20 l	PK001108-T
P3, mineral oil, 50 l	PK001109-T

**Vacuum solutions  
from a single source**

Pfeiffer Vacuum stands for innovative and custom vacuum solutions worldwide, technological perfection, competent advice and reliable service.

**Complete range  
of products**

From a single component to complex systems:  
We are the only supplier of vacuum technology  
that provides a complete product portfolio.

**Competence in  
theory and practice**

Benefit from our know-how and our portfolio of training  
opportunities! We support you with your plant layout  
and provide first-class on-site service worldwide.

**Are you looking for a  
perfect vacuum solution?  
Please contact us:**

**Pfeiffer Vacuum GmbH**  
Headquarters · Germany  
T +49 6441 802-0  
info@pfeiffer-vacuum.de  
[www.pfeiffer-vacuum.com](http://www.pfeiffer-vacuum.com)