

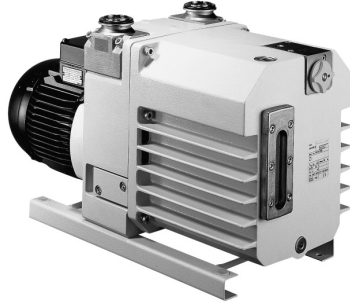
Data sheet · DUO 35

DUO 35, 3-phase motor, 3TF, 220/380 V, 60 Hz

Dual-stage, high-performance rotary vane pump with a pumping speed up to 36 m³/h

DUO 35, 3-phase motor, 3TF, 220/380 V, 60 Hz

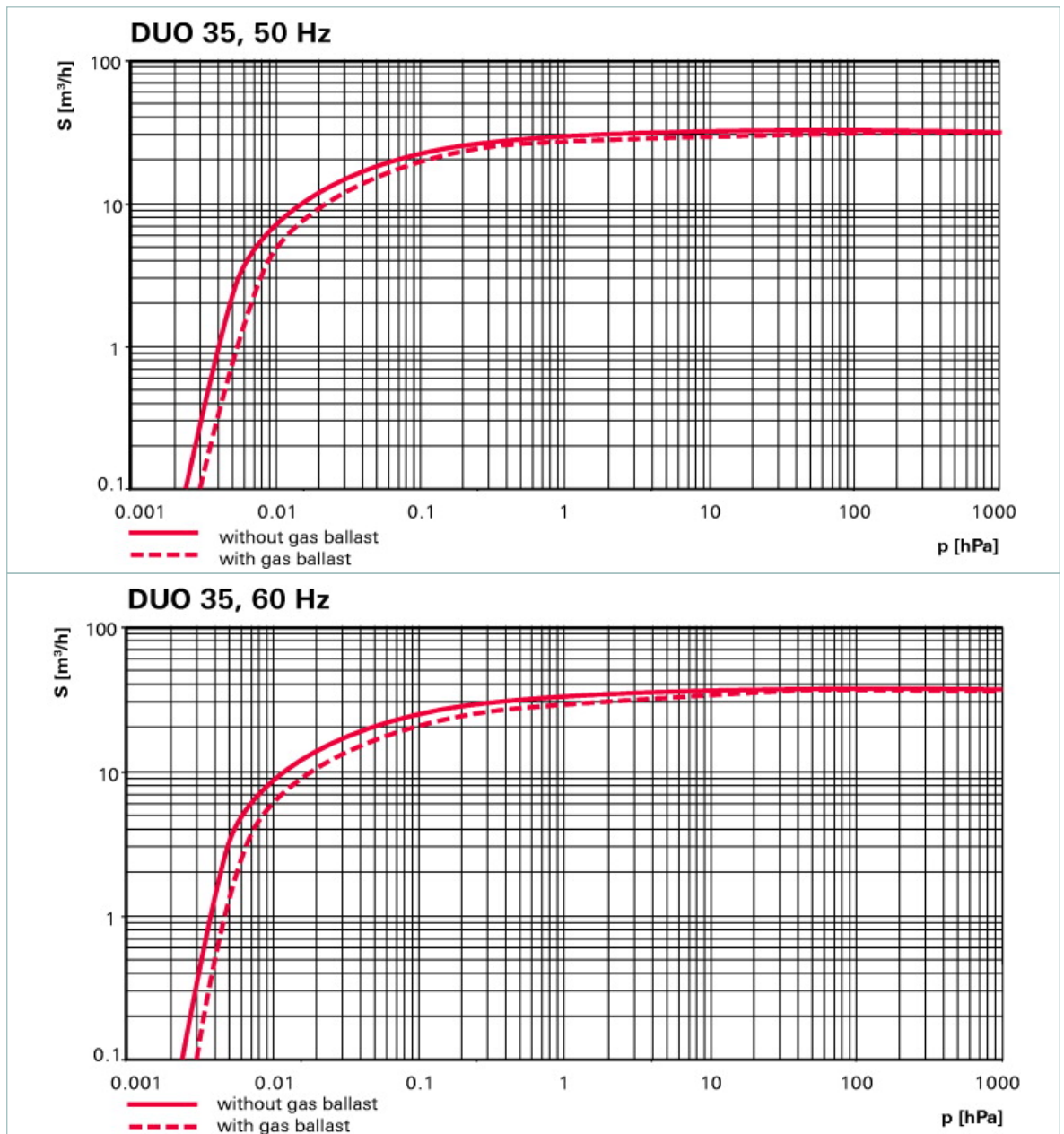
DUO 35



[Similar Image](#)

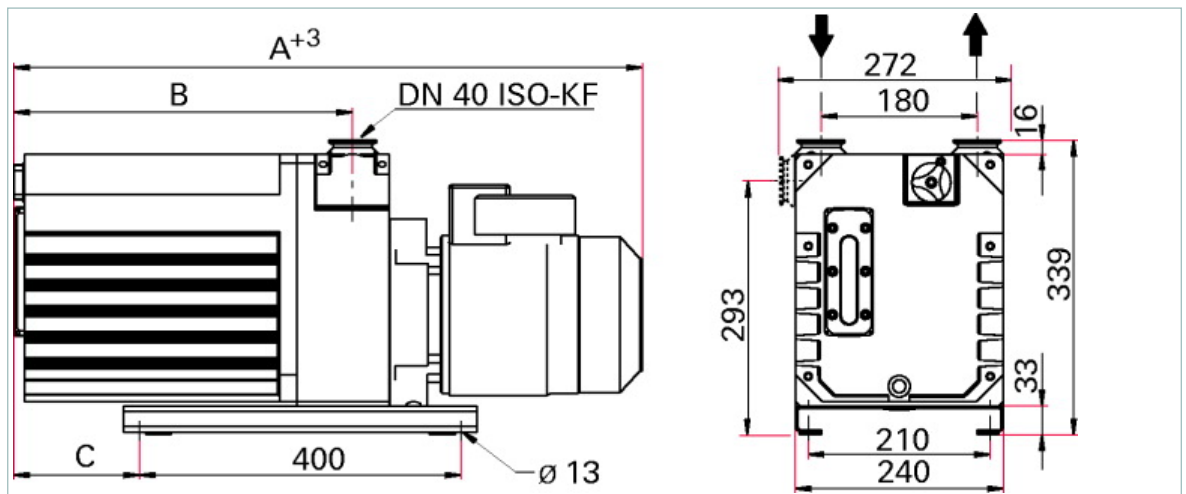
- Dual-stage, high-performance rotary vane pump with a pumping speed up to 36 m³/h
- With 3-phase motor
- With temperature sensor (3TF) for optimum motor protection
- Integrated gas ballast and HV safety valve
- For all low and medium vacuum applications
- Special feature: Various motor voltages for worldwide employment

Characteristics



DUO 35, 3-phase motor, 3TF, 220/380 V, 60 Hz

Dimensions



Technical Data

DUO 35, 3-phase motor, 3TF, 220/380 V, 60 Hz

Emission sound pressure level without gas ballast	≤ 61 dB (A)
Flange (in)	DN 40 ISO-KF
Flange (out)	DN 40 ISO-KF
Leak rate safety valve	$\leq 1 \cdot 10^{-5}$ Pa m ³ /s
Mains requirement: voltage 60 Hz	220/380 ($\pm 5\%$) V
Motor protection	3TF
Operating fluid	P3
Operating fluid filling	3.2 l
Pumping speed at 60 Hz	36 m ³ /h
Rated power 60 Hz	1.3 kW
Rotation speed at 60 Hz	1800 min ⁻¹
Ultimate pressure with gas ballast	$3 \cdot 10^{-3}$ hPa
Ultimate pressure without gas ballast	$2 \cdot 10^{-3}$ hPa
Weight	68 kg

Ultimate pressure according to PNEUROP

Order number

PKD45642

DUO 35, 3-phase motor, 3TF, 220/380 V, 60 Hz

Accessories DuoLine®;

FAK 040, activated carbon filter	PKZ30008
KAS 40, condensate separator for pumping speeds up to 100 m ³ /h	PKZ10008
KLF 040, cold trap	PKZ80008
OFC 35/65, chemical oil filter	PKZ90320
OFM 35/65, mechanical oil filter	PKZ90321
Oil pressure switch for DUO 125/255	PK223806-T
Oil pressure switch for DUO 35/65; DUO 35/65 MC	PK223720-U
Oil pressure switch for DUO 35/65 with OFC/OFM	PK223741-U
Oil return unit from ONF 35/65 to DUO 35/65	PK005950-T
Oil return unit from ONF 35/65 to DUO 35/DUO 65	PK005710-T
ONF 35/65, oil mist filter for DUO 35/65, DUO 35/65 M	PKZ40150
ONFR 35/65, oil mist filter with oil return to pump for DUO 35/65, DUO 35/65 M	PKZ40151
Operations monitoring unit 1 for DUO 35/65	PK223718-U
Operations monitoring unit 3 for DUO 35/65, DUO 125/255	PK223739-U
URB 040, catalytic trap, 115 V	PTU10261
URB 040, catalytic trap, 230 V	PTU10260
ZFO 040, zeolite trap	PKZ70008

Accessories UnoLine®; Plus

PTC-resistor tripping device	P4768051FQ
------------------------------	------------

Consumables

	DUO 35, 3-phase motor, 3TF, 220/380 V, 60 Hz
P3, mineral oil, 1 l	PK001106-T
P3, mineral oil, 5 l	PK001107-T
P3, mineral oil, 20 l	PK001108-T

**Vacuum solutions
from a single source**

Pfeiffer Vacuum stands for innovative and custom vacuum solutions worldwide, technological perfection, competent advice and reliable service.

**Complete range
of products**

From a single component to complex systems:
We are the only supplier of vacuum technology
that provides a complete product portfolio.

**Competence in
theory and practice**

Benefit from our know-how and our portfolio of training
opportunities! We support you with your plant layout
and provide first-class on-site service worldwide.

**Are you looking for a
perfect vacuum solution?
Please contact us:**

Pfeiffer Vacuum GmbH
Headquarters · Germany
T +49 6441 802-0
info@pfeiffer-vacuum.de
www.pfeiffer-vacuum.com