



Data sheet · DUO 35 M

**DUO 35 M, 3-phase motor, 3TF,
230/400 V, 50 Hz; 265/460 V, 60 Hz**

**Dual-stage, high-performance rotary vane pump with a pumping
speed up to 36 m³/h**

DUO 35 M, 3-phase motor, 3TF, 230/400 V, 50 Hz; 265/460 V, 60 Hz

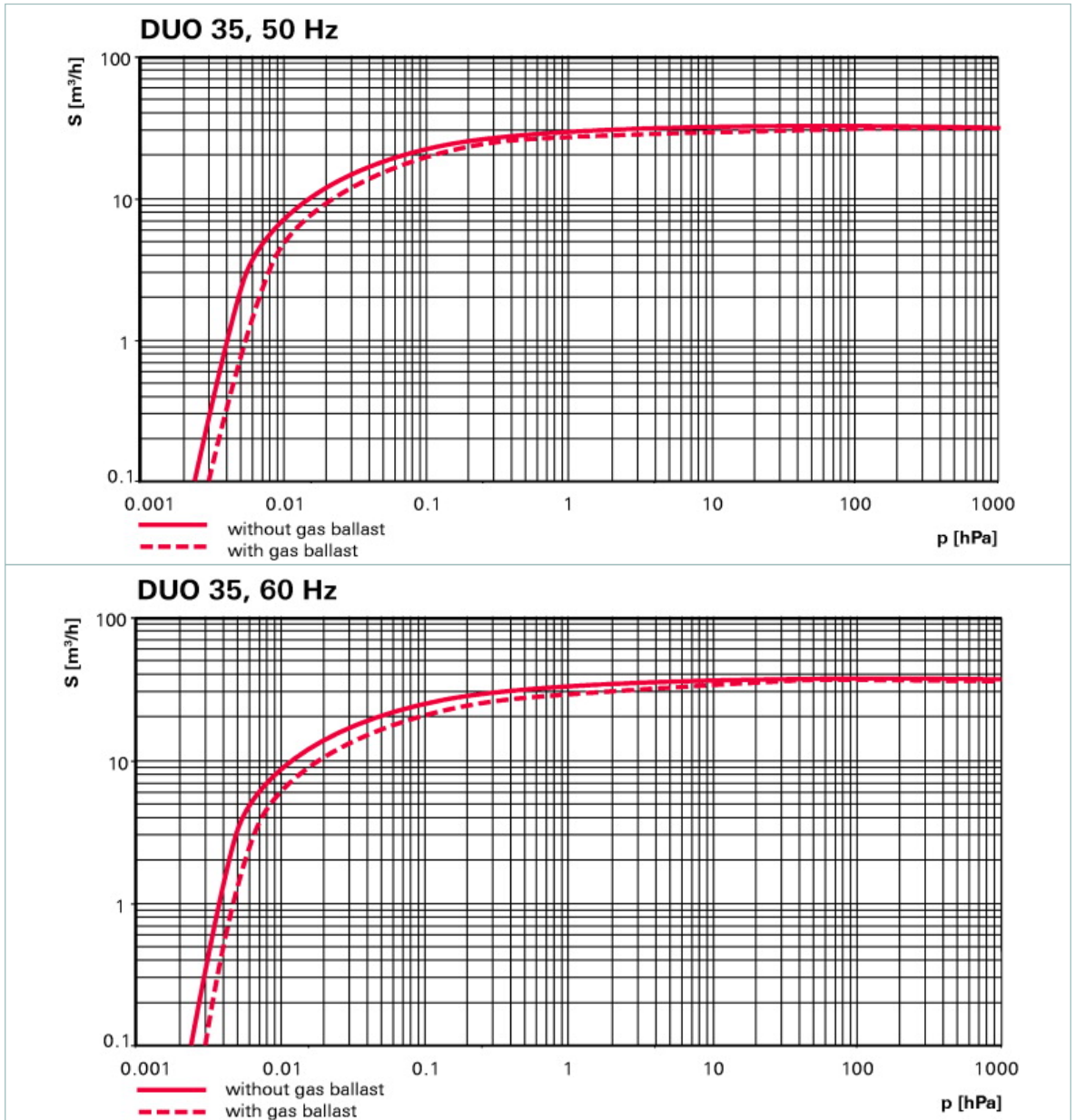
DUO 35 M



Similar Image

- Dual-stage, high-performance rotary vane pump with a pumping speed up to 36 m³/h
- With 3-phase motor
- With temperature sensor (3TF) for optimum motor protection
- Integrated gas ballast and HV safety valve
- For all low and medium vacuum applications
- Magnetically coupled

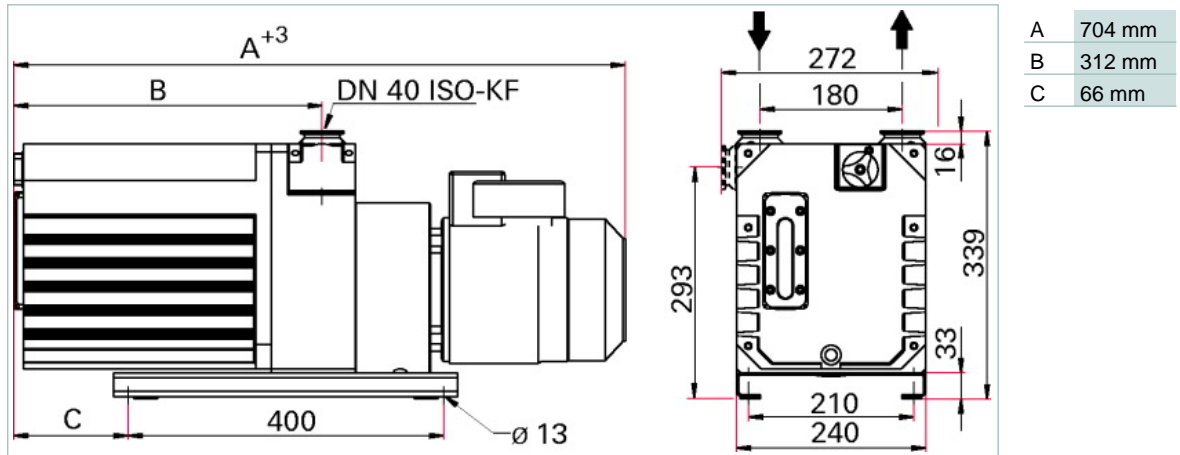
Characteristics



Data sheet - DUO 35 M

DUO 35 M, 3-phase motor, 3TF, 230/400 V, 50 Hz; 265/460 V, 60 Hz

Dimensions



DUO 35 M, 3-phase motor, 3TF, 230/400 V, 50 Hz; 265/460 V, 60 Hz

Technical Data	DUO 35 M, 3-phase motor, 3TF, 230/400 V, 50 Hz; 265/460 V, 60 Hz
Ambient temperature	12-40 °C
Cooling method, standard	Air
Emission sound pressure level without gas ballast at 50 Hz	<= 61 dB (A)
Exhaust pressure, max.	1500 hPa
Exhaust pressure, min.	250 hPa
Flange (in)	DN 40 ISO-KF
Flange (out)	DN 40 ISO-KF
Leak rate magnetic coupling	<= $1 \cdot 10^{-7}$ Pa m ³ /s
Leak rate safety valve	<= $1 \cdot 10^{-5}$ Pa m ³ /s
Magnetic coupling	yes
Mains requirement: voltage 50 Hz	230/400 (± 5 %) V
Mains requirement: voltage 60 Hz	265/460 (± 5 %) V
Motor protection	3TF
Operating fluid	P3
Operating fluid filling	3.2 l
Protection category	IP 55
Pumping speed at 50 Hz	32 m ³ /h
Pumping speed at 60 Hz	36 m ³ /h
Rated power 50 Hz	1.1 kW
Rated power 60 Hz	1.3 kW
Rotation speed at 50 Hz	1500 min ⁻¹
Rotation speed at 60 Hz	1800 min ⁻¹
Ultimate pressure with gas ballast	<= $3 \cdot 10^{-3}$ hPa
Ultimate pressure without gas ballast	<= $2 \cdot 10^{-3}$ hPa
Weight	70 kg

Ultimate pressure according to PNEUROP

Order number	PKD45028
---------------------	-----------------

DUO 35 M, 3-phase motor, 3TF, 230/400 V, 50 Hz; 265/460 V, 60 Hz

Accessories DuoLine®;

FAK 040, activated carbon filter	PKZ30008
KAS 40, condensate separator for pumping speeds up to 100 m³/h	PKZ10008
KLF 040, cold trap	PKZ80008
OFC 35/65, chemical oil filter	PKZ90320
OFM 35/65, mechanical oil filter	PKZ90321
Oil pressure switch for DUO 35/65; DUO 35/65 MC	PK223720-U
Oil pressure switch for DUO 35/65 with OFC/OFM	PK223741-U
Oil return unit from ONF 35/65 to DUO 35/65	PK005950-T
ONF 35/65, oil mist filter for DUO 35/65, DUO 35/65 M	PKZ40150
ONFR 35/65, oil mist filter with oil return to pump for DUO 35/65, DUO 35/65 M	PKZ40151
Operations monitoring unit 1 for DUO 35/65	PK223718-U
Operations monitoring unit 3 for DUO 35/65, DUO 125/255	PK223739-U
URB 040, catalytic trap, 115 V	PTU10261
URB 040, catalytic trap, 230 V	PTU10260
ZFO 040, zeolite trap	PKZ70008

Accessories HenaLine

SAS 40, DN 40 ISO-KF, polyester filter	PKZ60510
--	----------

Accessories UnoLine®; Plus

PTC-resistor tripping device	P4768051FQ
------------------------------	------------

Consumables

	DUO 35 M, 3-phase motor, 3TF, 230/400 V, 50 Hz; 265/460 V, 60 Hz
P3, mineral oil, 1 l	PK001106-T
P3, mineral oil, 5 l	PK001107-T
P3, mineral oil, 20 l	PK001108-T

**Vacuum solutions
from a single source**

Pfeiffer Vacuum stands for innovative and custom vacuum solutions worldwide, technological perfection, competent advice and reliable service.

**Complete range
of products**

From a single component to complex systems:
We are the only supplier of vacuum technology
that provides a complete product portfolio.

**Competence in
theory and practice**

Benefit from our know-how and our portfolio of training opportunities! We support you with your plant layout and provide first-class on-site service worldwide.

**Are you looking for a
perfect vacuum solution?
Please contact us:**

Pfeiffer Vacuum GmbH
Headquarters · Germany
T +49 6441 802-0
info@pfeiffer-vacuum.de
www.pfeiffer-vacuum.com