



## Data sheet - DUO 5 M

**DUO 5 M, 1-phase motor, 95-120 V,  
50 Hz ; 105-120 V, 60 Hz**

**Dual-stage, high-performance rotary vane pump with a pumping  
speed of 5 m<sup>3</sup>/h**

## DUO 5 M, 1-phase motor, 95-120 V, 50 Hz ; 105-120 V, 60 Hz

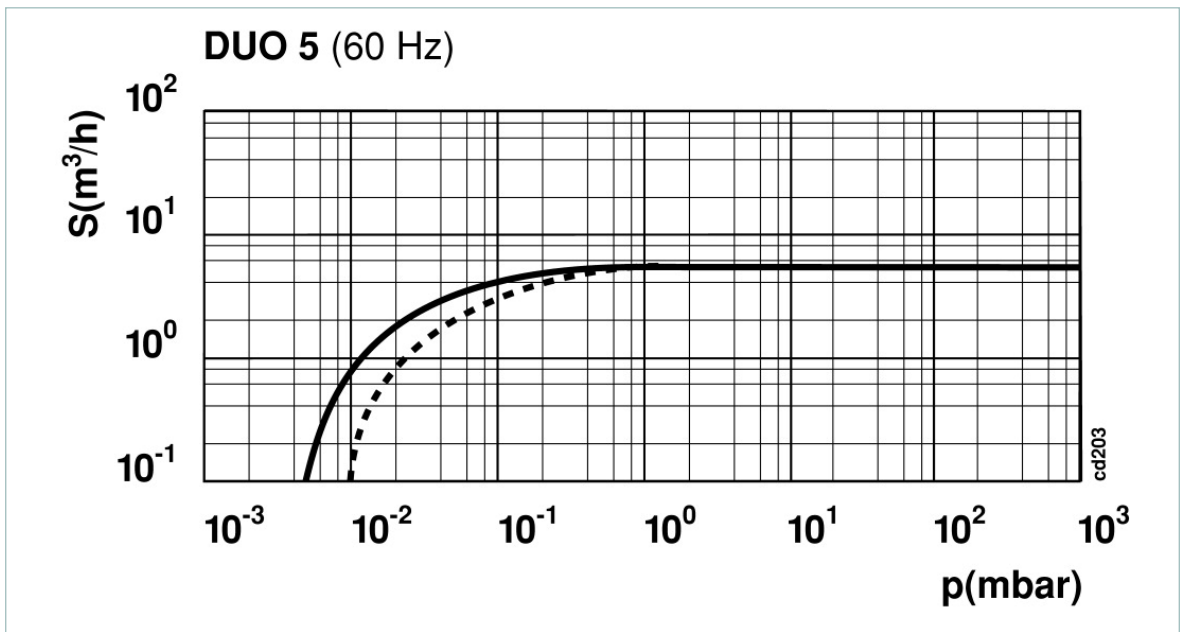
### DUO 5 M



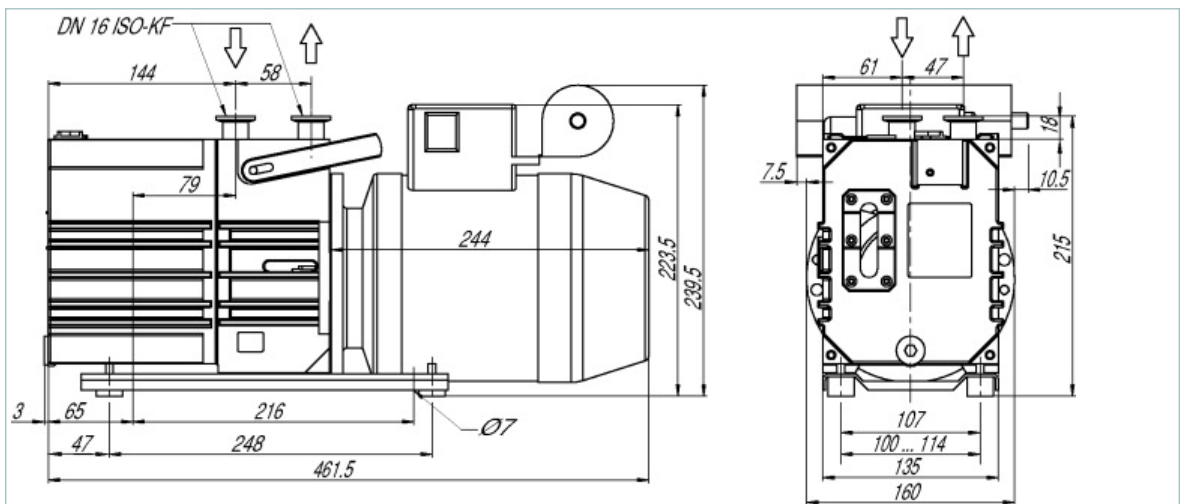
Similar Image

- Dual-stage, high-performance rotary vane pump with a pumping speed of 5 m<sup>3</sup>/h
- With Single-phase motor
- Integrated gas ballast and HV safety valve
- For all low and medium vacuum applications
- Magnetically coupled
- Special feature: Various motor voltages for worldwide employment

### Characteristics



### Dimensions



## DUO 5 M, 1-phase motor, 95-120 V, 50 Hz ; 105-120 V, 60 Hz

Technical Data	DUO 5 M, 1-phase motor, 95-120 V, 50 Hz ; 105-120 V, 60 Hz
Emission sound pressure level without gas ballast	<= 57 dB (A)
Flange (in)	DN 16 ISO-KF
Flange (out)	DN 16 ISO-KF
Leak rate safety valve	<= 1 · 10 <sup>-5</sup> Pa m <sup>3</sup> /s
Magnetic coupling	yes
Mains requirement: voltage 50 Hz	95-120 (± 5 %) V
Mains requirement: voltage 60 Hz	105-120 (± 5 %) V
Operating fluid	P3
Operating fluid filling	0.75 l
Pumping speed at 60 Hz	6 m <sup>3</sup> /h
Rated power 60 Hz	0.37 kW
Rotation speed at 60 Hz	1800 min <sup>-1</sup>
Switch	Yes, with 2 m cable and US plug
Ultimate pressure with gas ballast	7 · 10 <sup>-3</sup> hPa
Ultimate pressure without gas ballast	4 · 10 <sup>-3</sup> hPa
Weight	25 kg

Ultimate pressure according to PNEUROP

<b>Order number</b>	<b>PKD61707</b>
---------------------	-----------------

### Accessories DuoLine&trade;

KAS 16, condensate separator for pumping speeds from 1.6 to 12 m <sup>3</sup> /h	<b>PKZ10003</b>
Oil pressure switch for DUO 5/10/20 M and Penta 20/35	<b>PK196484-T</b>
Oil return unit from ONF 16 M to DUO 5 M, from ONF 25 M to DUO 10 M, from ONF 25 L to DUO 20 M, standard version	<b>PK196172-T</b>
ONF 16 M, oil mist filter for pumping speeds of up to 12 m <sup>3</sup> /h	<b>PKZ40003</b>
Operations monitoring unit 1 for DUO 1.6/3/6/11 and DUO 5/10/20 M	<b>PK196157-T</b>
Operations monitoring unit 2 for DUO 1.6/3/6/11 and DUO 5/10/20 M	<b>PK196142-T</b>
Operations monitoring unit 3 for DUO 1.6/3/6/11 and DUO 5/10/20 M	<b>PK196141-T</b>
SAS 16, DN 16 ISO-KF, polyester filter	<b>PKZ60506</b>
ZFO 16, zeolite trap	<b>PKZ70003</b>

### Accessories UnoLine&trade; Plus

PTC-resistor tripping device	<b>P4768051FQ</b>
------------------------------	-------------------

## DUO 5 M, 1-phase motor, 95-120 V, 50 Hz ; 105-120 V, 60 Hz

### Consumables

DUO 5 M, 1-phase  
motor, 95-120 V, 50  
Hz ; 105-120 V, 60  
Hz

P3, mineral oil, 1 l	PK001106-T
P3, mineral oil, 5 l	PK001107-T
P3, mineral oil, 20 l	PK001108-T

**Vacuum solutions  
from a single source**

Pfeiffer Vacuum stands for innovative and custom vacuum solutions worldwide, technological perfection, competent advice and reliable service.

**Complete range  
of products**

From a single component to complex systems:  
We are the only supplier of vacuum technology  
that provides a complete product portfolio.

**Competence in  
theory and practice**

Benefit from our know-how and our portfolio of training  
opportunities! We support you with your plant layout  
and provide first-class on-site service worldwide.

**Are you looking for a  
perfect vacuum solution?  
Please contact us:**

**Pfeiffer Vacuum GmbH**  
Headquarters · Germany  
T +49 6441 802-0  
info@pfeiffer-vacuum.de  
[www.pfeiffer-vacuum.com](http://www.pfeiffer-vacuum.com)