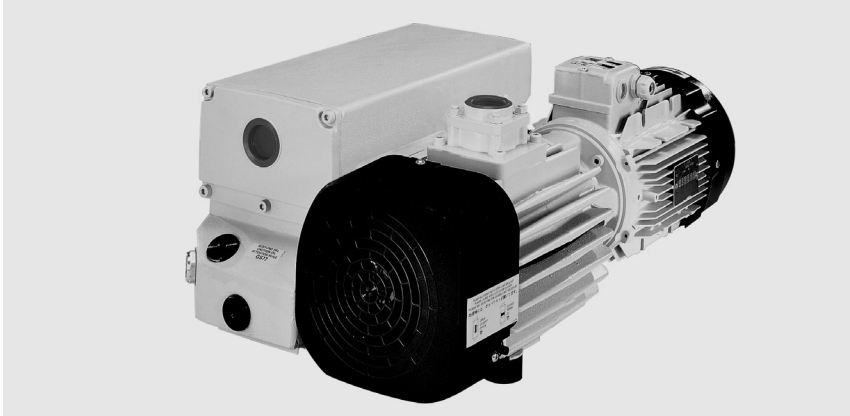
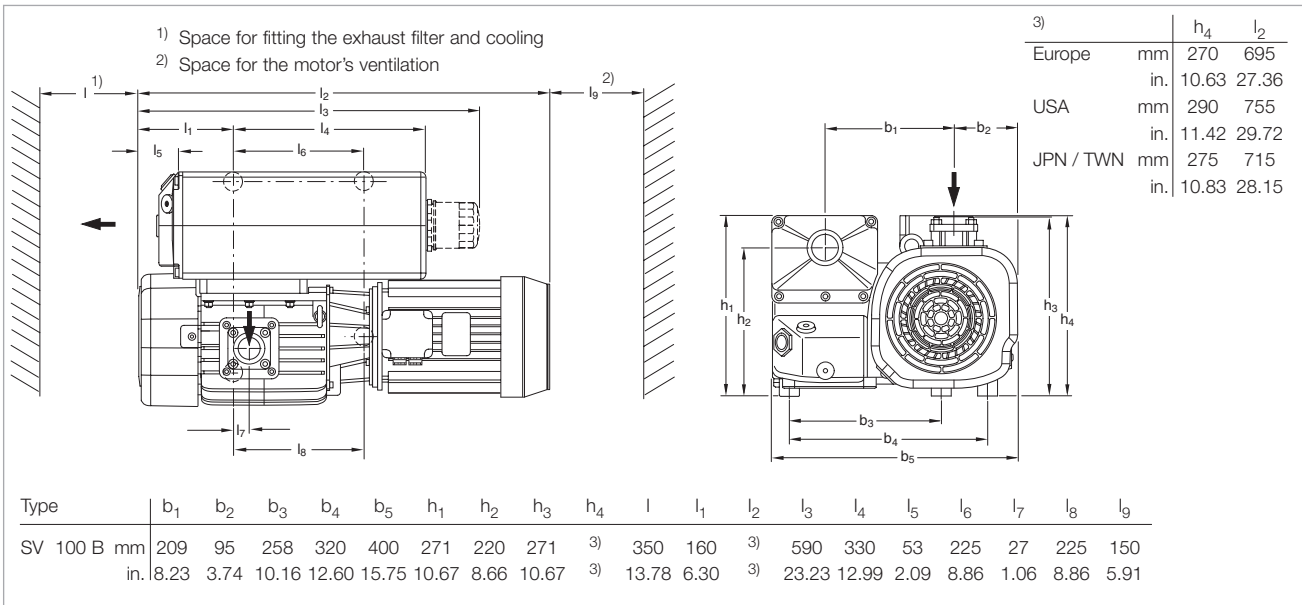


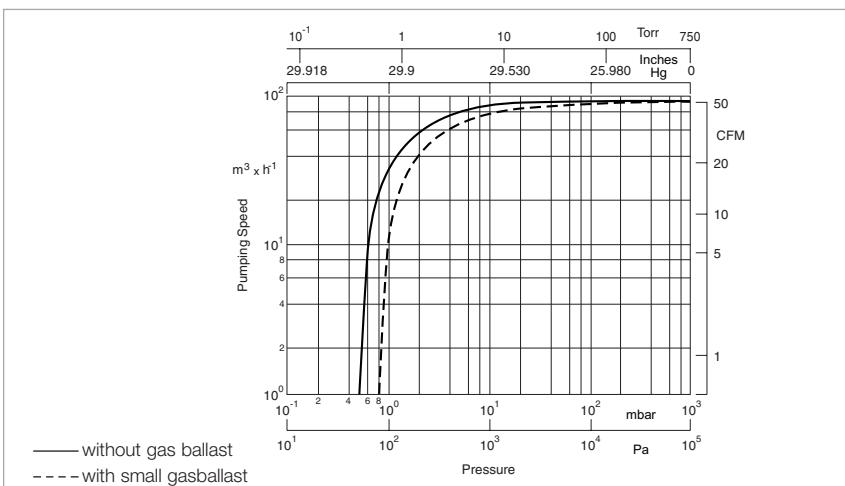
# SOGEVAC SV 100 B



SOGEVAC SV 100 B



Dimensional drawing for the SOGEVAC SV 100 B



Pumping speed characteristics of the SOGEVAC SV 100 B at 50 Hz  
(60 Hz curves at the end of the section)

## Technical Data

## SOGEVAC SV 100 B

		50 Hz	60 Hz
Nominal speed <sup>1)</sup>	m <sup>3</sup> x h <sup>-1</sup> (cfm)	97.5 (57.4)	117.0 (68.9)
Pumping speed <sup>1)</sup>	m <sup>3</sup> x h <sup>-1</sup> (cfm)	87.5 (51.5)	105.0 (61.8)
Ultimate partial pressure without gas ballast <sup>1)</sup>	mbar (Torr)	≤ 0.5 (≤ 0.4)	≤ 0.5 (≤ 0.4)
Ultimate total pressure <sup>1)</sup>			
with standard gas ballast <sup>2)</sup>	mbar (Torr)	≤ 1.5 (≤ 1.0)	≤ 1.5 (≤ 1.0)
with small gas ballast <sup>2)</sup>	mbar (Torr)	≤ 0.8 (≤ 0.6)	≤ 0.8 (≤ 0.6)
Water vapor tolerance <sup>1)</sup>			
with standard gas ballast <sup>2)</sup>	mbar (Torr)	10.0 (7.0)	30.0 (22.5)
with small gas ballast <sup>2)</sup>	mbar (Torr)	15.0 (11.3)	15.0 (11.3)
Water vapor capacity			
with standard gas ballast <sup>2)</sup>			
with standard gas ballast <sup>2)</sup>	kg x h <sup>-1</sup> (qt/hr)	1.60 (1.69)	1.70 (1.80)
with small gas ballast <sup>2)</sup>	kg x h <sup>-1</sup> (qt/hr)	0.45 (0.48)	0.60 (0.63)
Oil capacity	l (qt)	2.0 (2.1)	2.0 (2.1)
Mean noise level <sup>3)</sup>	dB(A)	61	64
Admissible ambient temperature	°C (°F)	12 to 40 (54 to 104)	12 to 40 (54 to 104)
Motor power	kW (hp)	2.2 (3.0)	3.5 (4.8)
Nominal speed	min <sup>-1</sup> (rpm)	1500 (1500)	1800 (1800)
Type of protection	IP	55-F	55-F
Weight (with oil filling)	kg (lbs)	75 (165.6)	88 (194.3)
Dimensions (W x H x D)			
Europe	mm (in.)	695 x 400 x 270 (27.4 x 15.7 x 10.6)	695 x 400 x 270 (27.4 x 15.7 x 10.6)
USA	mm (in.)	755 x 400 x 290 (29.7 x 15.7 x 11.4)	755 x 400 x 290 (29.7 x 15.7 x 11.4)
JPN / TWN	mm (in.)	715 x 400 x 275 (28.1 x 15.7 x 10.8)	715 x 400 x 275 (28.1 x 15.7 x 10.8)
Connection (inside thread) <sup>4)</sup>			
Intake	G or NPT	1 1/4"	1 1/4"
Exhaust	G or NPT	1 1/4"	1 1/4"

<sup>1)</sup> To DIN 28 400 and following numbers

<sup>2)</sup> Ordering Information, see next page

<sup>3)</sup> Operated at the ultimate pressure without gas ballast, free-field measurement at a distance of 1 m

<sup>4)</sup> Pumps with European and Japanese motors have G, pumps with US (NEMA) motors have NPT

## Ordering Information

## SOGEVAC SV 100 B 50/60 Hz

SOGEVAC SV 100 B <sup>1)</sup> with three-phase motor, without gas ballast, without oil filter 230/400 V, 50 Hz and 460 V, 60 Hz (CEI)	<b>Part No. 960 500</b>
with three-phase motor, without gas ballast, with oil filter 230/400 V, 50 Hz and 460 V, 60 Hz (CEI)	<b>Part No. 960 502</b>
with three-phase motor, with small gas ballast, without oil filter 230/400 V, 50 Hz and 460 V, 60 Hz (CEI)	<b>Part No. 960 501</b>
230/460 V, 60 Hz and 400 V, 50 Hz (NEMA)	<b>Part No. 960 511</b>
230/400 V, 50/60 Hz (CEI)	<b>Part No. 960 521</b>
200 V, 50/60 Hz (JIS)	<b>Part No. 960 516</b>
with three-phase motor, with small gas ballast, with oil filter 230/400 V, 50 Hz and 460 V, 60 Hz (CEI)	<b>Part No. 960 503</b>
230/460 V, 60 Hz and 400 V, 50 Hz (NEMA)	<b>Part No. 960 513</b>
230/400 V, 50/60 Hz (CEI)	<b>Part No. 960 523</b>
200 V, 50/60 Hz (JIS)	<b>Part No. 960 518</b>
with three-phase motor, with standard gas ballast, without oil filter 230/400 V, 50 Hz and 460 V, 60 Hz (CEI)	<b>Part No. 960 505</b>
230/460 V, 60 Hz and 400 V, 50 Hz (NEMA)	<b>Part No. 960 512</b>
230/400 V, 50/60 Hz (CEI)	<b>Part No. 960 522</b>
200 V, 50/60 Hz (JIS)	<b>Part No. 960 517</b>
with three-phase motor, with standard gas ballast, with oil filter 230/400 V, 50 Hz and 460 V, 60 Hz (CEI)	<b>Part No. 960 507</b>
230/460 V, 60 Hz and 400 V, 50 Hz (NEMA)	<b>Part No. 960 514</b>
230/400 V, 50/60 Hz (CEI)	<b>Part No. 960 524</b>
200 V, 50/60 Hz (JIS)	<b>Part No. 960 519</b>
Other voltages/frequencies <sup>2)</sup> Filling with special oil <sup>2)</sup>	<b>upon request upon request</b>
Exhaust filter cartridge	<b>Part No. 714 17 300</b>
Maintenance kit	<b>Part No. 9 714 27 690</b>
Repair kit	<b>Part No. 9 714 27 680</b>
Oil filter <sup>3)</sup>	<b>Part No. 712 13 150</b>

<sup>1)</sup> Pumps with European and Japanese motors have G,  
pumps with US (NEMA) motors have NPT

<sup>2)</sup> Please indicate when ordering a pump

<sup>3)</sup> Not included in maintenance kit