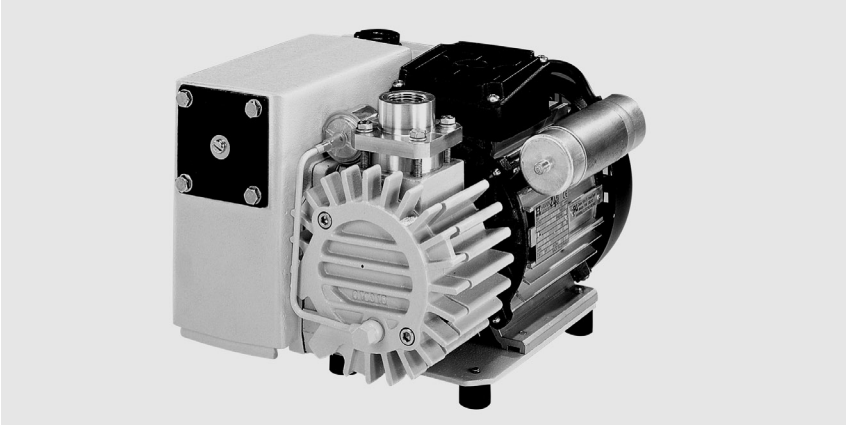
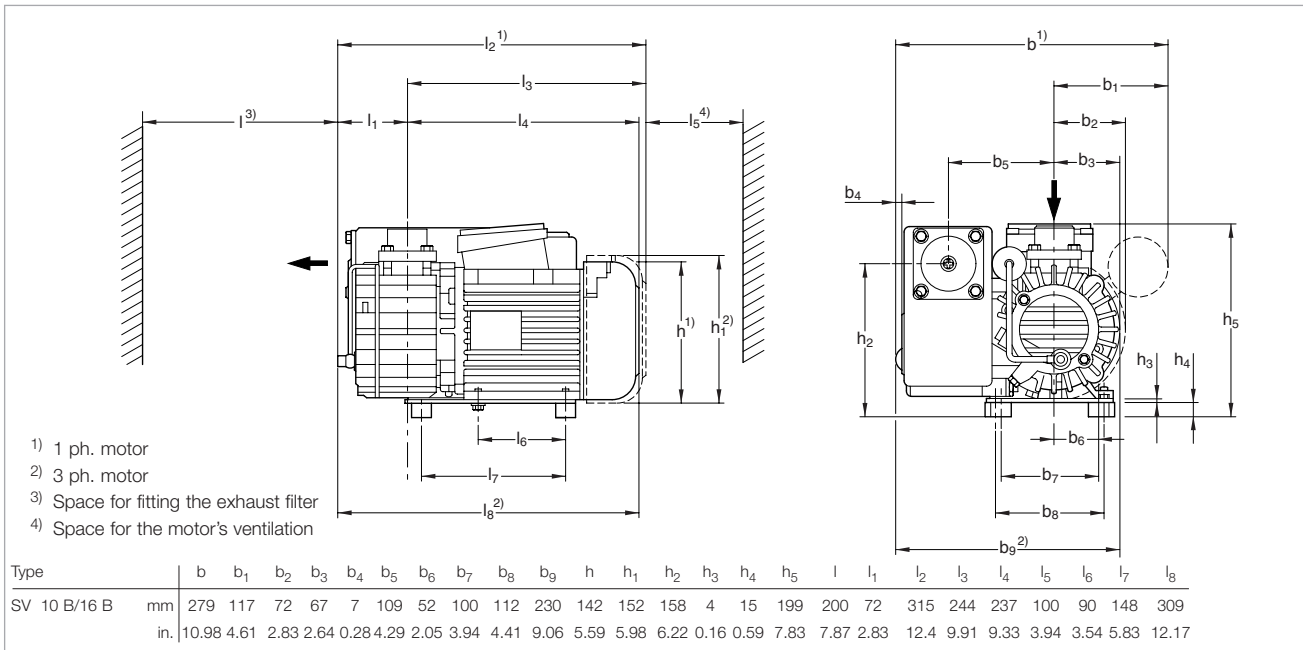


Products

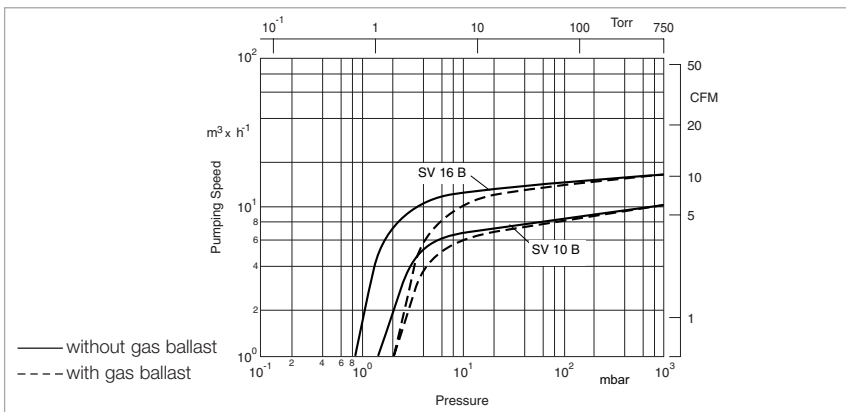
SOGEVAC SV 10 B / SV 16 B



SOGEVAC SV 16 B



Dimensional drawing for the SOGEVAC SV 10 B and SV 16 B



Pumping speed characteristics of the SOGEVAC SV 10 B and SV 16 B at 50 Hz (60 Hz curves at the end of the section)

Technical Data

		SOGEVAC SV 10 B		SOGEVAC SV 16 B	
		50 Hz	60 Hz	50 Hz	60 Hz
Nominal speed ¹⁾	m ³ x h ⁻¹ (cfm)	11.0 (6.5)	13.0 (7.7)	16.0 (9.4)	19.0 (11.2)
Pumping speed ¹⁾	m ³ x h ⁻¹ (cfm)	9.5 (5.6)	11.5 (6.8)	15.0 (8.8)	17.0 (10.0)
Ultimate partial pressure without gas ballast ¹⁾	mbar (Torr)	≤ 1.5 (≤ 1.1)	≤ 1.5 (≤ 1.1)	≤ 1 (≤ 0.75)	≤ 1 (≤ 0.75)
Ultimate total pressure with gas ballast ¹⁾	mbar (Torr)	≤ 2 (≤ 1.5)	≤ 2.5 (≤ 1.9)	≤ 2 (≤ 1.5)	≤ 2 (≤ 1.5)
Water vapor tolerance ¹⁾	mbar (Torr)	10.0 (7.5)	15.0 (11.3)	10.0 (7.5)	15.0 (11.3)
Water vapor capacity	g x h ⁻¹ (qt/hr)	20 (21)	30 (32)	30 (32)	50
Oil capacity	l (qt)	0.5 (0.53)	0.5 (0.53)	0.5 (0.53)	0.5 (0.53)
Noise level ²⁾	dB(A)	62 (1φ) - 60 (3φ)	67 (1φ) - 64 (3φ)	62 (1φ) - 60 (3φ)	67 (1φ) - 64 (3φ)
Admissible ambient temperature	°C (°F)	12 to 40 (54 to 104)	12 to 40 (54 to 104)	12 to 40 (54 to 104)	12 to 40 (54 to 104)
Motor power	kW (hp)	0.55 (1.0)	0.75 (1.5)	0.55 (1.0)	0.75 (1.5)
Nominal speed	min ⁻¹ (rpm)	3000 (3000)	3600 (3600)	3000 (3000)	3600 (3600)
Type of protection	IP	55-F	55-F	55-F	55-F
Weight (with oil filling)	kg (lbs)	20.0 (41.55)	20.0 (41.55)	20.5 (45.25)	20.5 (45.25)
Dimensions (W x H x D)	mm (in.)	315 x 281 x 199 (12.4 x 11.06 x 7.83)	315 x 281 x 199 (12.4 x 11.06 x 7.83)	315 x 281 x 199 (12.4 x 11.06 x 7.83)	315 x 281 x 199 (12.4 x 11.06 x 7.83)
Connections intake (Inside thread)	G	3/4" + 1/2"	3/4" + 1/2"	3/4" + 1/2"	3/4" + 1/2"

Ordering Information

	SOGEVAC SV 10 B 50/60 Hz	SOGEVAC SV 16 B 50/60 Hz
SOGEVAC SV 10 B/SV 16 B with three-phase motor, with gas ballast 220-240/380-415 V, 50 Hz and 220-266/380-460 V, 60 Hz (CEI) 200 V, 50/60 Hz with single-phase motor ³⁾ , with gas ballast 230 V, 50/60 Hz (CEI) 115 V, 60 Hz 100 V, 50/60 Hz Other voltages/frequencies ⁴⁾ Filling with special oil	Part No. 960 100 Part No. 960 115 Part No. 960 105 Part No. 960 110 Part No. 960 114 upon request upon request	Part No. 960 160 Part No. 960 175 Part No. 960 165 Part No. 960 170 Part No. 960 174 upon request upon request
Exhaust filter cartridge	Part No. 714 13 280	Part No. 714 13 280
Exhaust connection G 3/4 "	Part No. 971 433 140	Part No. 971 433 140
Repair kit	Part No. 714 22 230	Part No. 714 22 230

¹⁾ To DIN 28 400 and following numbers

²⁾ Operated at the ultimate pressure without gas ballast, free-field measurement at a distance of 1 m

³⁾ Single-phase motors do not have plugs, cords or ON/OFF switches

⁴⁾ Please indicate when ordering a pump

Remark: The SV 10 B and SV 16 B cannot work continuously above 150 mbar. Please consult Oerlikon Leybold Vacuum for this application