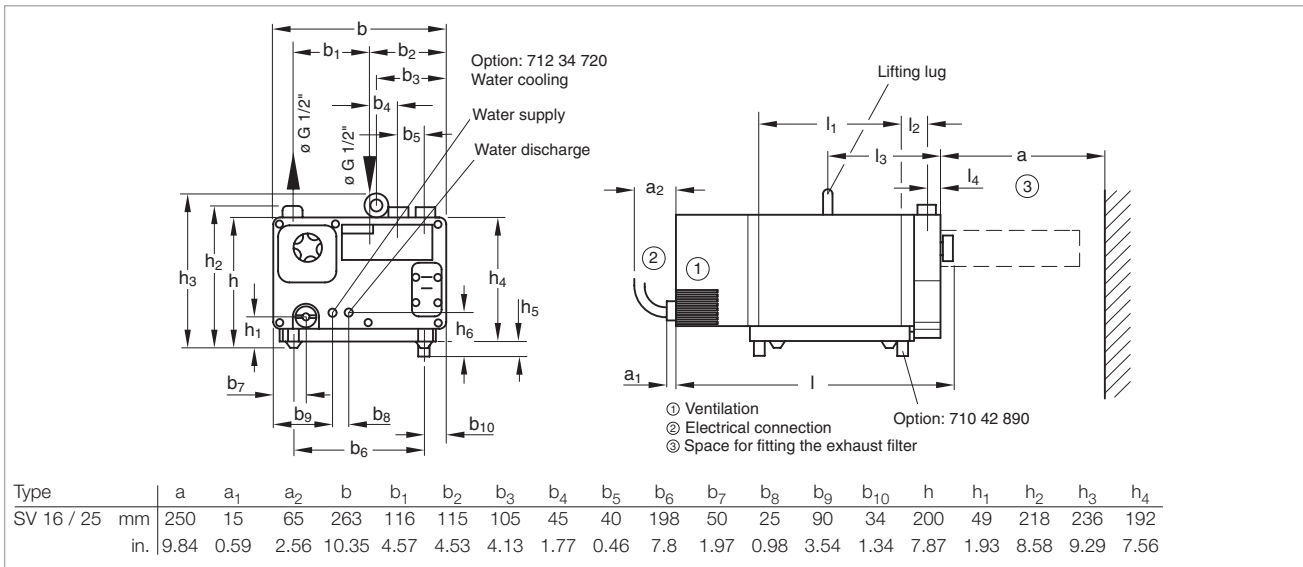


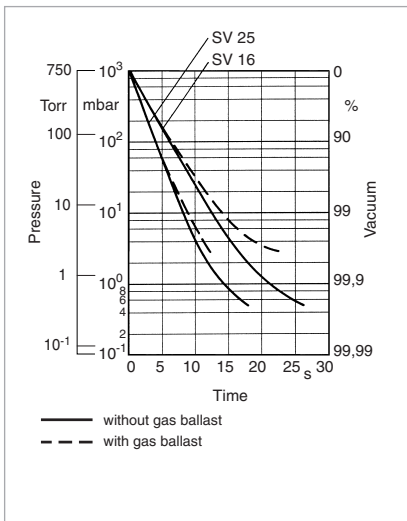
# SOGEVAC SV 16 / SV 25



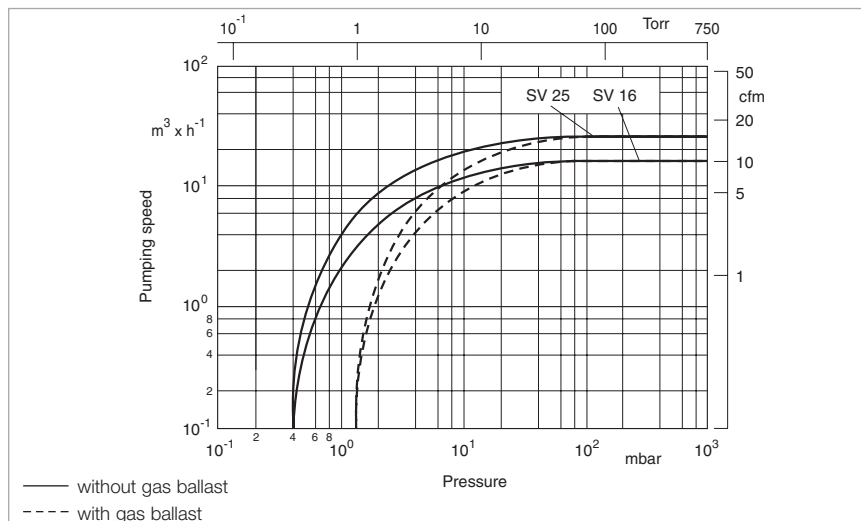
SOGEVAC SV 25



Dimensional drawing for the SOGEVAC SV 16 and SV 25



Pump-down characteristics of a 10 l vessel at 50 Hz (60 Hz curves at the end of the section)



Pumping speed characteristics of the SOGEVAC SV 16 and SV 25 at 50 Hz (60 Hz curves at the end of the section)

## Technical Data

		SOGEVAC SV 16		SOGEVAC SV 25	
		50 Hz	60 Hz	50 Hz	60 Hz
Nominal speed <sup>1)</sup>	m <sup>3</sup> x h <sup>-1</sup> (cfm)	16.0 (9.4)	19.0 (11.0)	25.0 (14.7)	29.0 (17.0)
Pumping speed <sup>1)</sup>	m <sup>3</sup> x h <sup>-1</sup> (cfm)	14.5 (8.5)	17.0 (10.0)	22.5 (13.3)	25.5 (15.0)
Ultimate partial pressure without gas ballast <sup>1)</sup>	mbar (Torr)	≤ 0.5 (≤ 0.4)	≤ 0.5 (≤ 0.4)	≤ 0.5 (≤ 0.4)	≤ 0.5 (≤ 0.4)
Ultimate total pressure with gas ballast <sup>1)</sup>	mbar (Torr)	≤ 1.5 (≤ 1.1)	≤ 1.5 (≤ 1.1)	≤ 1.5 (≤ 1.1)	≤ 1.5 (≤ 1.1)
Water vapor tolerance <sup>1)</sup>	mbar (Torr)	40 (30)	40 (30)	40 (30)	40 (30)
Water vapor capacity	kg x h <sup>-1</sup> (qt/hr)	0.3 (0.32)	0.3 (0.32)	0.45 (0.48)	0.45 (0.48)
Oil capacity	l (qt)	1.8 (2.0)	1.8 (2.0)	1.8 (2.0)	1.8 (2.0)
Noise level <sup>2)</sup>	dB(A)	59	59	59	59
Admissible ambient temperature	°C (°F)	12 to 40 (54 to 104)	12 to 40 (54 to 104)	12 to 40 (54 to 104)	12 to 40 (54 to 104)
Motor power	kW (hp)	0.55 (1.0)	0.55 (1.0)	0.75 (1.5)	0.75 (1.5)
Nominal speed	min <sup>-1</sup> (rpm)	1500 (1500)	1800 (1800)	1500 (1500)	1800 (1800)
Type of protection	IP	23	23	23	23
Weight (with oil filling)	kg (lbs)	23.0 (50.7)	23.0 (50.7)	24.0 (52.9)	24.0 (52.9)
Dimensions (W x H x D)	mm (in.)	422 x 263 x 236 (16.61 x 10.35 x 9.29)	422 x 263 x 236 (16.61 x 10.35 x 9.29)	422 x 263 x 236 (16.61 x 10.35 x 9.29)	422 x 263 x 236 (16.61 x 10.35 x 9.29)
Connections, Intake and Exhaust <sup>3)</sup> (Inside thread)	G	1/2"	1/2"	1/2"	1/2"

## Ordering Information

	SOGEVAC SV 16 50 Hz/60 Hz	SOGEVAC SV 25 50 Hz/60 Hz
SOGEVAC SV 16/SV 25 <sup>3)</sup> with three-phase motor and integrated gas ballast valve 230/400 V, 50 Hz 208 - 230/460 V, 60 Hz 200 V, 50/60 Hz with single-phase motor and integrated gas ballast valve 100 V, 50 Hz 230 V, 50 Hz 115 V, 60 Hz 230 V, 60 Hz Other voltages/frequencies <sup>4)</sup> Filling with special oil	<b>Part No. 109 01</b> <b>Part No. 109 80</b> <b>Part No. 955 01</b>  <b>Part No. 955 30</b> <b>Part No. 109 00</b> <b>Part No. 109 81</b> <b>Part No. 109 82</b> <b>upon request</b> <b>upon request</b>	<b>Part No. 109 03</b> <b>Part No. 109 90</b> <b>Part No. 955 03</b>  <b>Part No. 955 32</b> <b>Part No. 109 02</b> <b>Part No. 109 91</b> <b>Part No. 109 92</b> <b>upon request</b> <b>upon request</b>

## Accessories

Water cooling kit <sup>4), 5)</sup>	<b>Part No. 712 34 720</b>	<b>Part No. 712 34 720</b>
Oil level monitor <sup>4), 5)</sup>	<b>Part No. 711 19 108</b>	<b>Part No. 711 19 108</b>
Exhaust filter gauge, mechanical <sup>4), 5)</sup>	<b>Part No. 951 91</b>	<b>Part No. 951 91</b>

## Spare Parts

Exhaust filter cartridge	<b>Part No. 712 32 023</b>	<b>Part No. 712 32 023</b>
Vanes (set of 3 pieces)	<b>Part No. 712 34 370</b>	<b>Part No. 712 34 370</b>
Set of gaskets NBR (standard)	<b>Part No. 971 97 152</b>	<b>Part No. 971 97 152</b>
Set of gaskets FKM	<b>Part No. 712 30 010</b>	<b>Part No. 712 30 010</b>
Repair kit complete	<b>Part No. 712 41 270</b>	<b>Part No. 712 41 270</b>
Pump module complete	<b>Part No. 712 32 230</b>	<b>Part No. 712 32 220</b>

<sup>1)</sup> To DIN 28 400 and following numbers

<sup>2)</sup> Operated at the ultimate pressure without gas ballast, free-field measurement at a distance of 1 m

<sup>3)</sup> European and Japanese pumps have BSP, North and South American versions have NPT

<sup>4)</sup> Please indicate when ordering a pump

<sup>5)</sup> Can be retrofitted