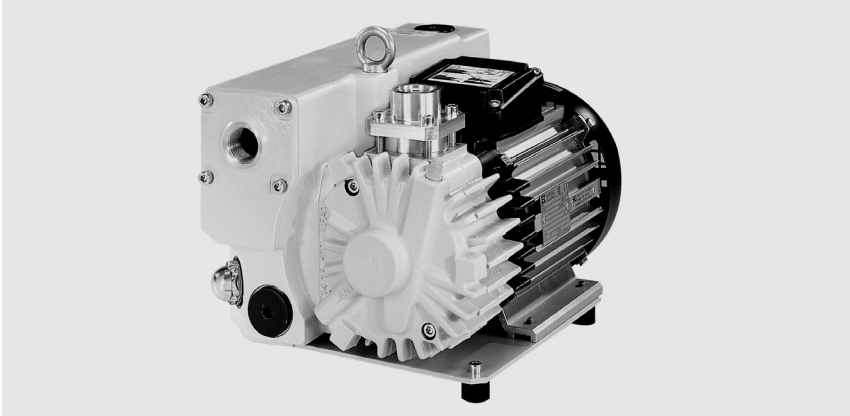
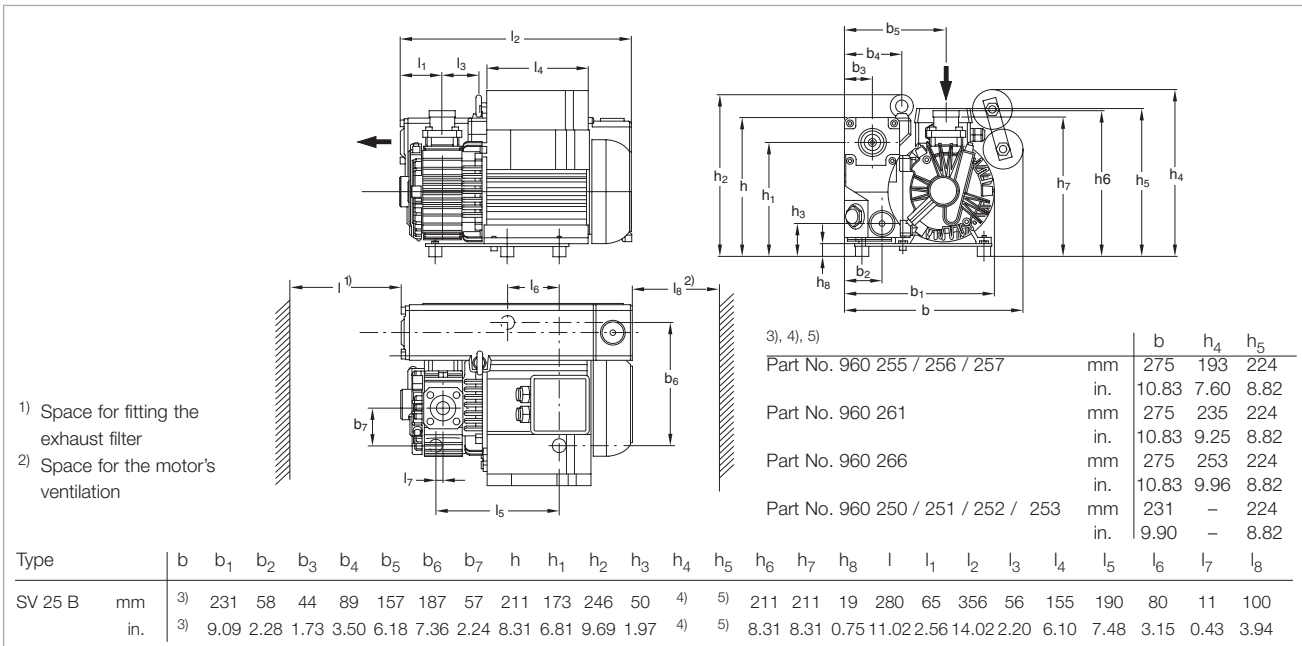


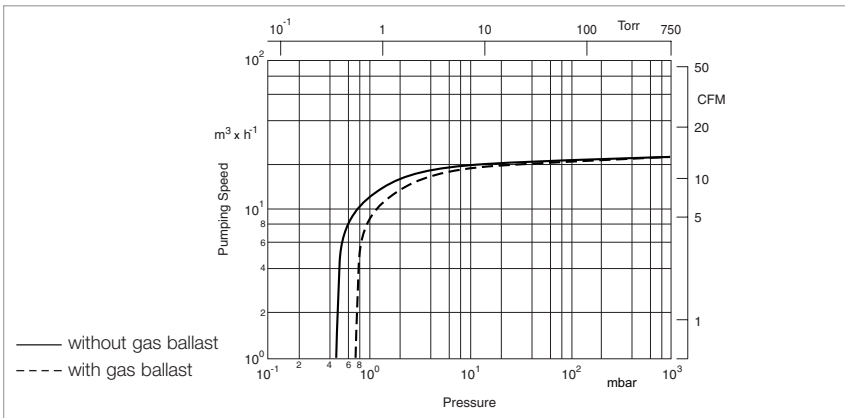
SOGEVAC SV 25 B



SOGEVAC SV 25 B



Dimensional drawing for the SOGEVAC SV 25 B



Pumping speed characteristics of the SOGEVAC SV 25 B at 50 Hz
(60 Hz curves at the end of the section)

Technical Data

SOGEVAC SV 25 B

		50 Hz	60 Hz
Nominal speed ¹⁾	m ³ x h ⁻¹ (cfm)	26.0 (15.3)	31.0 (18.3)
Pumping speed ¹⁾	m ³ x h ⁻¹ (cfm)	22.5 (13.3)	25.0 (14.7)
Ultimate partial pressure without gas ballast ¹⁾	mbar (Torr)	≤ 0.5 (≤ 0.4)	≤ 0.5 (≤ 0.4)
Ultimate total pressure with gas ballast ¹⁾	mbar (Torr)	≤ 0.8 (≤ 0.6)	≤ 0.8 (≤ 0.6)
Water vapor tolerance ¹⁾	mbar (Torr)	10.0 (7.5)	10.0 (7.5)
Water vapor tolerance	g x h ⁻¹ (qt/hr)	85 (90)	100 (106)
Oil capacity	l (qt)	0.5 (0.53)	0.5 (0.53)
Noise level ²⁾	dB(A)	64	67
Admissible ambient temperature	°C (°F)	12 to 40 (54 to 104)	12 to 40 (54 to 104)
Motor power	kW (hp)	0.9 (1.2)	1.1 (1.5)
Nominal speed	min ⁻¹ (rpm)	3000 (3000)	3600 (3600)
Type of protection	IP	55-F	55-F
Weight (with oil filling)	kg (lbs)	26 (57.4) [three-phase] 27 (60.0) [single-phase]	26 (57.4) [three-phase] 27 (60.0) [three-phase]
Dimensions (W x H x D)	mm (in.)	356 x 275 x 246 (14.02 x 10.83 x 9.69)	356 x 275 x 246 (14.02 x 10.83 x 9.69)
Connections ³⁾			
Intake	G or NPT	3/4" + 1/2"	3/4" + 1/2"
Exhaust	G or NPT	3/4"	3/4"

Ordering Information

SOGEVAC SV 25 B 50/60 Hz

SOGEVAC SV 25 B with three-phase motor, without gas ballast 200-230/400 V, 50 Hz (CEI) and 200-230/400-460 V, 60 Hz (CEI)	Part No. 960 250
200-230/400 V, 50 Hz and 200-230/400-460 V, 60 Hz, NPT flanges (CEI)	Part No. 960 252
with three-phase motor, with gas ballast 200-230/400 V, 50 Hz (CEI) and 200-230/400-460 V, 60 Hz (CEI)	Part No. 960 251
200-230/400 V, 50 Hz and 200-230/400-460 V, 60 Hz and NPT flanges (CEI)	Part No. 960 253
with single-phase motor, without gas ballast 230 V, 50/60 Hz (CEI)	Part No. 960 255
with single-phase motor, with gas ballast 230 V, 50/60 Hz (CEI)	Part No. 960 256
230 V, 50/60 Hz, NPT flanges (CEI)	Part No. 960 257
115 V, 60 Hz	Part No. 960 261
100 V, 50/60 Hz	Part No. 960 266
Other voltages/frequencies ⁴⁾ Filling with special oil ⁴⁾	upon request upon request
Exhaust filter cartridge	Part No. 714 16 340
Maintenance kit	Part No. 9 714 23 450
Repair kit	Part No. 9 714 23 100

¹⁾ To DIN 28 400 and following numbers

²⁾ Operated at the ultimate pressure without gas ballast, free-field measurement at a distance of 1 m

³⁾ Pumps with European and Japanese motors have G, pumps with NEMA motors have NPT

⁴⁾ Please indicate when ordering a pump