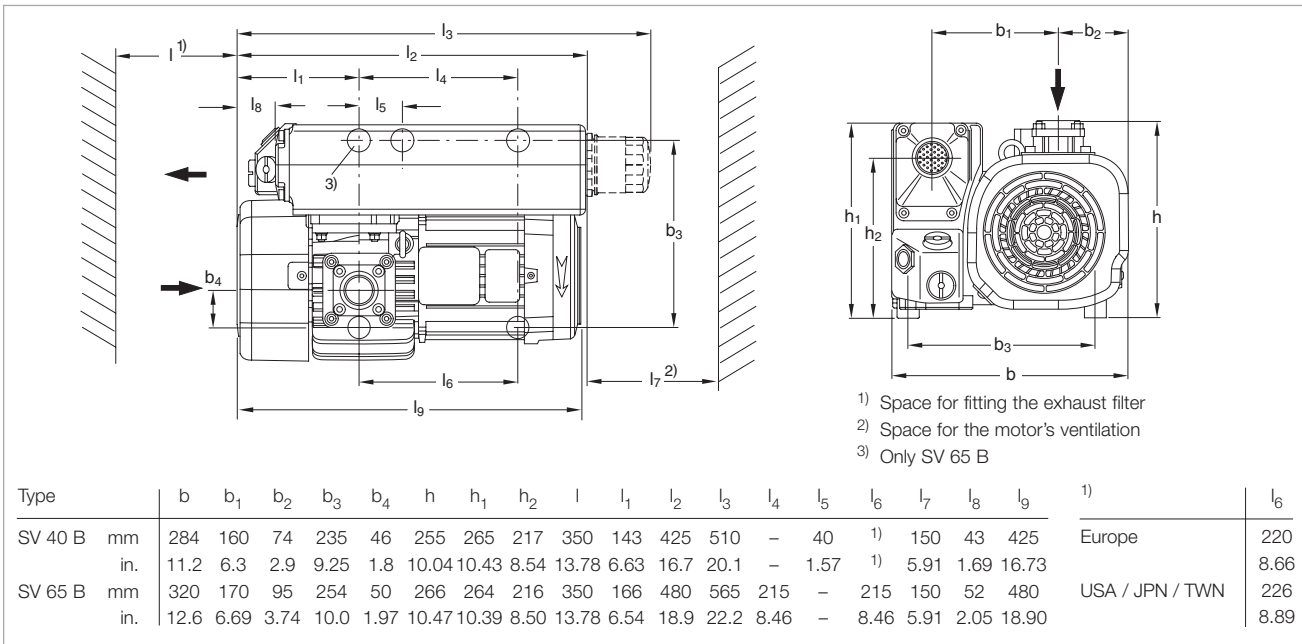


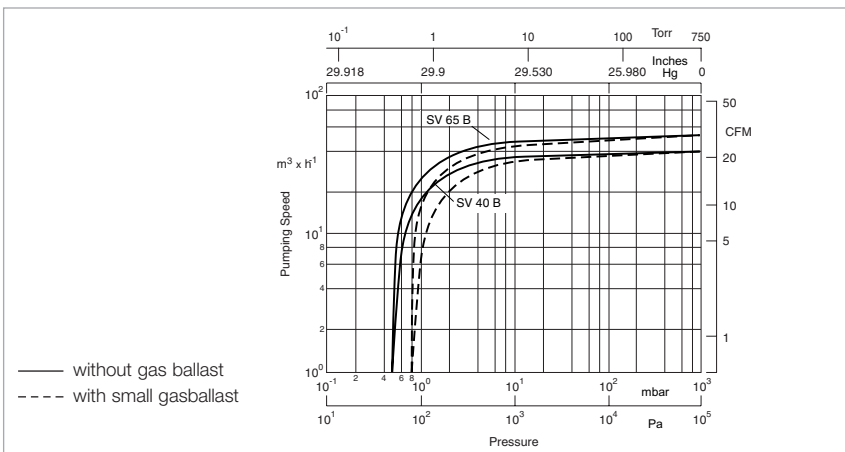
# SOGEVAC SV 40 B / SV 65 B



SOGEVAC SV 65 B



Dimensional drawing for the SOGEVAC SV 40 B and SV 65 B with standard motor, European version



Pumping speed characteristics of the SOGEVAC SV 40 B and SV 65 B at 50 Hz (60 Hz curves at the end of the section)

## Technical Data

		SOGEVAC SV 40 B		SOGEVAC SV 65 B	
		50 Hz	60 Hz	50 Hz	60 Hz
Nominal speed <sup>1)</sup>	m <sup>3</sup> x h <sup>-1</sup> (cfm)	44.0 (25.9)	53.0 (31.2)	59.0 (34.8)	71.0 (41.8)
Pumping speed <sup>1)</sup>	m <sup>3</sup> x h <sup>-1</sup> (cfm)	38.5 (22.7)	47.0 (27.7)	54.0 (31.8)	64.0 (37.7)
Ultimate partial pressure without gas ballast <sup>1)</sup>	mbar (Torr)	≤ 0.5 (≤ 0.4)	≤ 0.5 (≤ 0.4)	≤ 0.5 (≤ 0.4)	≤ 0.5 (≤ 0.4)
Ultimate total pressure <sup>1)</sup>					
with standard gas ballast <sup>2)</sup>	mbar (Torr)	≤ 1.5 (≤ 1.1)	≤ 1.5 (≤ 1.1)	≤ 1.5 (≤ 1.1)	≤ 1.5 (≤ 1.1)
with small gas ballast <sup>2)</sup>	mbar (Torr)	≤ 0.8 (≤ 0.6)	≤ 0.8 (≤ 0.6)	≤ 0.8 (≤ 0.6)	≤ 0.8 (≤ 0.6)
Water vapor tolerance <sup>1)</sup>					
with standard gas ballast <sup>2)</sup>	mbar (Torr)	30.0 (22.5)	30.0 (22.5)	30.0 (22.5)	30.0 (22.5)
with small gas ballast <sup>2)</sup>	mbar (Torr)	10.0 (7.5)	10.0 (7.5)	10.0 (7.5)	10.0 (7.5)
Water vapor capacity					
with standard gas ballast <sup>2)</sup>					
kg x h <sup>-1</sup> (qt/hr)		0.76 (0.80)	0.90 (0.95)	1.0 (1.1)	1.25 (1.32)
with small gas ballast <sup>2)</sup>					
kg x h <sup>-1</sup> (qt/hr)		0.28 (0.30)	0.34 (0.36)	0.36 (0.38)	0.42 (0.44)
Oil capacity	l (qt)	1.0 (1.05)	1.0 (1.05)	2.0 (2.1)	2.0 (2.1)
Mean noise level <sup>3)</sup>	dB(A)	58	60	60	64
Admissible ambient temperature	°C (°F)	12 to 40 (54 to 104)	12 to 40 (54 to 104)	12 to 40 (54 to 104)	12 to 40 (54 to 104)
Motor power	kW (hp)	1.1 (1.5)	1.5 (2.0)	1.5 (2.0)	1.8 (2.5)
Nominal speed	min <sup>-1</sup> (rpm)	1500 (1500)	1800 (1800)	1500 (1500)	1800 (1800)
Type of protection	IP	55-F	55-F	55-F	55-F
Weight (with oil filling)	kg (lbs)	43 (94.9)	45 (99.3)	49 (108.2)	52 (114.8)
Dimensions (W x H x D)	mm (in.)	425 x 284 x 265 (16.7 x 11.2 x 10.4)	425 x 284 x 265 (16.7 x 11.2 x 10.4)	480 x 320 x 264 (18.9 x 12.6 x 10.4)	425 x 284 x 265 (18.9 x 12.6 x 10.4)
Connection (inside thread) <sup>4)</sup>					
Intake	G or NPT	1 1/4"	1 1/4"	1 1/4"	1 1/4"
Exhaust	G or NPT	1 1/4"	1 1/4"	1 1/4"	1 1/4"

<sup>1)</sup> To DIN 28 400 and following numbers

<sup>2)</sup> Ordering Information, see next page

<sup>3)</sup> Operated at the ultimate pressure without gas ballast, free-field measurement at a distance of 1 m

<sup>4)</sup> Pumps with European and Japanese motors have G, pumps with US motors have NPT

## Ordering Information

### SOGEVAC SV 40 B 50/60 Hz

### SOGEVAC SV 65 B 50/60 Hz

SOGEVAC SV 40 B, SV 65 B <sup>1)</sup> with three-phase motor, without gas ballast, without oil filter 230/400 V, 50 Hz and 460 V, 60 Hz (CEI) 230 V +/- 10%, 50 Hz (CEI)	<b>Part No. 960 300</b> <b>Part No. 960 320</b>	<b>Part No. 960 400</b> -
with three-phase motor, without gas ballast, with oil filter 230/400 V, 50 Hz and 460 V, 60 Hz (CEI)	<b>Part No. 960 302</b>	<b>Part No. 960 402</b>
with three-phase motor, with small gas ballast, without oil filter 230/400 V, 50 Hz and 460 V, 60 Hz (CEI) 230/460 V, 60 Hz and 400 V, 50 Hz, NPT flanges (CEI) 230 V +/- 10%, 50 Hz (CEI) 200 V, 50/60 Hz	<b>Part No. 960 301</b>  <b>Part No. 960 311</b> <b>Part No. 960 321</b> <b>Part No. 960 316</b>	<b>Part No. 960 401</b>  <b>Part No. 960 411</b> <b>Part No. 960 421</b> <b>Part No. 960 416</b>
with three-phase motor, with small gas ballast, with oil filter 230/400 V, 50 Hz and 460 V, 60 Hz (CEI) 230/460 V, 60 Hz and 400 V, 50 Hz, NPT flanges (CEI) 240 V +/- 5%, 60 Hz (CEI) 200 V, 50/60 Hz	<b>Part No. 960 303</b>  <b>Part No. 960 313</b> <b>Part No. 960 323</b> <b>Part No. 960 318</b>	<b>Part No. 960 403</b>  <b>Part No. 960 413</b> <b>Part No. 960 423</b> <b>Part No. 960 418</b>
with three-phase motor, with standard gas ballast, without oil filter 230/400 V, 50 Hz and 460 V, 60 Hz (CEI) 230/460 V, 60 Hz and 400 V, 50 Hz, NPT flanges (CEI) 340 - 440 V, 50 Hz (CEI) 200 V, 50/60 Hz	<b>Part No. 960 305</b>  <b>Part No. 960 312</b> <b>Part No. 960 322</b> <b>Part No. 960 317</b>	<b>Part No. 960 405</b>  <b>Part No. 960 412</b> <b>Part No. 960 422</b> <b>Part No. 960 417</b>
with three-phase motor, with standard gas ballast, with oil filter 230/400 V, 50 Hz and 460 V, 60 Hz (CEI) 230/460 V, 60 Hz and 400 V, 50 Hz, NPT flanges (CEI) 380 - 480 V, 60 Hz (CEI) 200 V, 50/60 Hz	<b>Part No. 960 307</b>  <b>Part No. 960 314</b> <b>Part No. 960 324</b> <b>Part No. 960 319</b>	<b>Part No. 960 407</b>  <b>Part No. 960 414</b> <b>Part No. 960 424</b> <b>Part No. 960 419</b>
Other voltages/frequencies <sup>2)</sup> Filling with special oil <sup>2)</sup>	<b>upon request</b> <b>upon request</b>	<b>upon request</b> <b>upon request</b>
Exhaust filter cartridge	<b>Part No. 714 21 180</b>	<b>Part No. 714 17 300</b>
Maintenance kit	<b>Part No. 9 714 27 660</b>	<b>Part No. 9 714 23 440</b>
Repair kit	<b>Part No. 9 714 27 650</b>	<b>Part No. 714 20 420</b>
Oil filter <sup>3)</sup>	<b>Part No. 714 20 980</b>	<b>Part No. 714 20 980</b>

<sup>1)</sup> Pumps with European and Japanese motors have G,  
pumps with US voltages motors have NPT

<sup>2)</sup> Please indicate when ordering a pump

<sup>3)</sup> Not included in maintenance kit