

A SERIES STANDARD PUMPS TWO-STAGE

COMPACT FOR EASY INSTALLATION
in pumping systems.

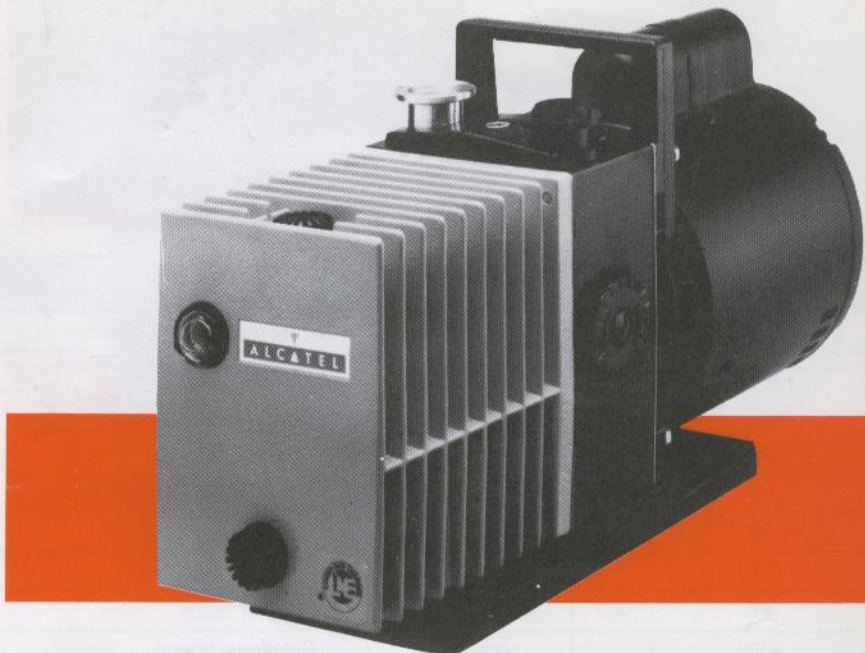
LOW NOISE LEVEL : 55 dbA at 1 m.

AIR-COOLED for increased mobility.

EASY TO MOVE with integrated handle.

SHOCK MOUNTS for vibration free operation.

LIGHT-WEIGHT for universal applications.



Range

ALCATEL presents a wide range of standard series two-stage pumps.

- 2004 A, 2008 A, 2012 A, 2020 A.

Single phase pumps are delivered with power-cord and electrical plug.

Three phases pumps are delivered with terminal box on motor.

Connections

All these models are equipped according to Pneu-rop standards for inlet and exhaust ports.

The inlet port is equipped with a screen while the exhaust is supplied with a rubber flapper.

Note : The rubber flapper must be removed when the pump is connected to an exhaust line or to an oil mist eliminator.

Accessories

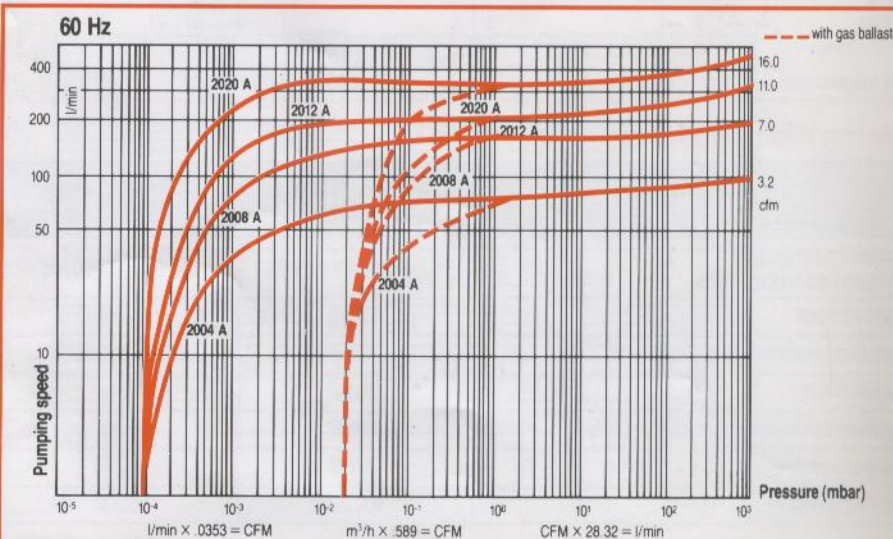
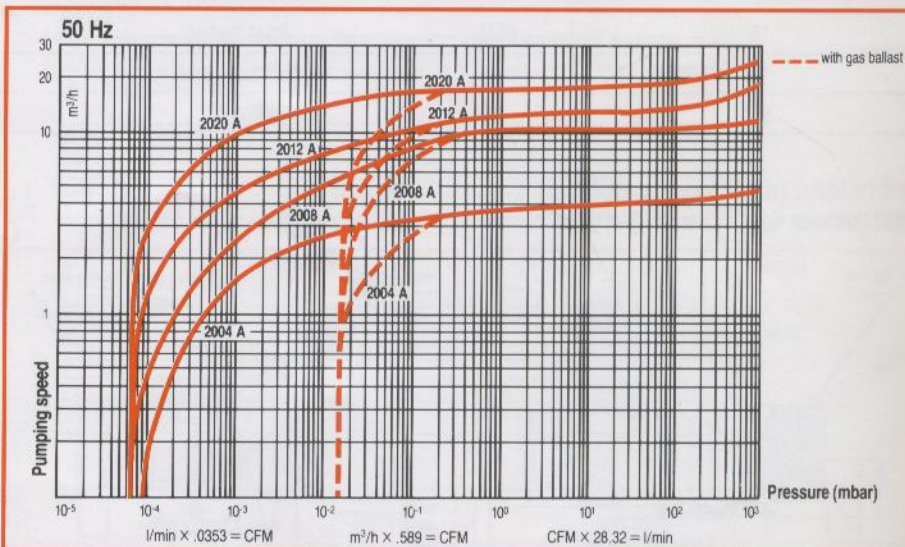
A wide range of accessories is available to adapt the pump to your specific application.

Maintenance

ALCATEL offers a minor or a major maintenance kit for simplified field servicing.

Pumping speed

The graphs on the right show the pumping speeds for pumps used at 50 or at 60 cycles.



Models :

2004 A-2008 A

2012 A-2020 A

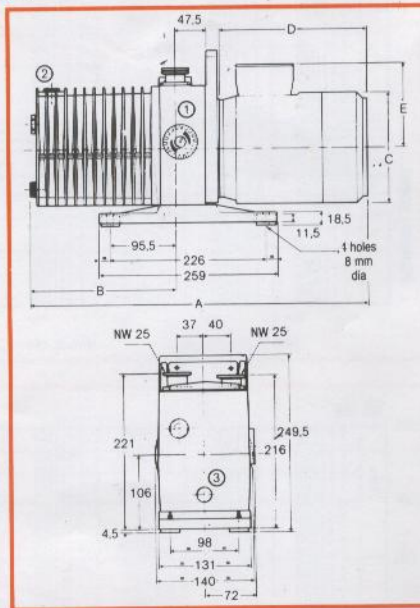
4.5-10-15-22 m³/h
(75-170-250-375 l/mn)
3.2-7-11-16 cfm
(90-195-310-450 l/mn)

Specifications

50 Hz				60 Hz							
2004 A	2008 A	2012 A	2020 A	2004 A	2008 A	2012 A	2020 A				
4.5	10	15	22.4	m ³ /h	Nominal pumping speed	Free air displacement	cfm	3.2	7	11	16
75	170	250	375	l/mn		l/mn	90	195	310	450	
2	2	2	2	Stages				2	2	2	2
$< 1 \times 10^{-4}$	$< 1 \times 10^{-4}$	$< 1 \times 10^{-4}$	$< 1 \times 10^{-4}$	mbar	Ultimate vacuum*	mbar	$< 1 \times 10^{-4}$	$< 1 \times 10^{-4}$	$< 1 \times 10^{-4}$	$< 1 \times 10^{-4}$	
50	100	150	220	g/h	Water vapor capacity**	grams/hr	50	100	150	220	
0.75	1	0.8	0.8	l	Oil capacity	qt	0.75	1	0.85	0.85	
0.37	0.37	0.37	0.5	kW	Motor rating	hp	1/2	1/2	3/4	3/4	
1500	1500	1500	1500	rpm	Rotational speed	rpm	1800	1800	1800	1800	
220 V/50 Hz		220 V/50 Hz		1 ph	Electrical rating	1 \emptyset	115-230 V/60 Hz		115-230 V/60 Hz		
220-380 V/50 Hz		220-380 V/50 Hz		3 ph		3 \emptyset	230-460 V/60 Hz		230-460 V/60 Hz		
25	25	25	25	NW	Inlet/Exhaust flanges (Pneurop)	NW	25	25	25	25	
24.5/18	25.5/19	26.5/20	28.3/26.7	kg	(1 Ph/3 Ph) Weight (1 \emptyset /3 \emptyset)	lbs	48/41	51/44	57/50	61/54	
53.8/39.6	56/41.7	58.2/44	62.2/58.7	lbs		kg	21.8/18.6	23.2/20	25.9/22.7	27.7/24.6	

* Partial pressure measurement according to PNEUROP specifications

** Water vapor at 30°C



Dimensions (mm) 60 Hz

	2004 A		2008 A		2012 A		2020 A	
	1 \emptyset	3 \emptyset	1 \emptyset	3 \emptyset	1 \emptyset	3 \emptyset	1 \emptyset	3 \emptyset
A	492	472	533	503	552	532	578	558
B	170	170	212	212	212	212	235	235
C	174	259	214	161	192	160	210	155
D	231	222	244	220	271	244	268	248

Dimensions (inch) 60 Hz

	2004 A		2008 A		2012 A		2020 A	
	1 \emptyset	3 \emptyset	1 \emptyset	3 \emptyset	1 \emptyset	3 \emptyset	1 \emptyset	3 \emptyset
A	19.4	18.6	21	19.82	21.80	20.96	22.77	22
B	6.56	6.56	8.25	8.25	8.25	8.25	9.25	9.25
C	6.88	5.5	8.44	6.38	7.56	6.31	8.27	6.10
D	9.13	8.75	9.63	8.69	10.69	9.63	10.56	9.77

Ordering information

MODEL	2004 A		2008 A		2012 A		2020 A	
	1 PHASE	3 PHASES	1 PHASE	3 PHASES	1 PHASE	3 PHASES	1 PHASE	3 PHASES
Pump P/N	UM 2004 A	UT 2004 A	UM 2008 A	UT 2008 A	UM 2012 A	UT 2012 A	UM 2020 A	UT 2020 A
Oil mist eliminator	068316	068316	068316	068316	068316	068316	068316	068316
Cartridges (5)	068838	068838	068838	068838	068838	068838	068838	068838
Minor kit	056210	056210	056210	056210	056210	056210	056210	056210
Major kit	052614	052614	052613	052613	052611	052611	052982	052982